



ACCESS CONTROL
AND AUTOMATION.
2025 CATALOGUE
UP DATE 08-2025

G·B·D·
CREATIVE AUTOMATIONS





**MADE IN ITALY
PRODUCTS**



**5 YEARS WARRANTY
EXTENSION**

Register your product on the website www.gibidi.com

Take advantage of this opportunity and register your products for free, quickly and safely.



ACCESS CONTROL AND AUTOMATION.

2





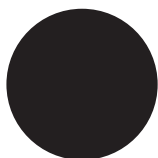
CREATIVE COMPANY

Founded in Italy, GIBIDI has been manufacturing and distributing high quality automation equipment for over 50 years. Since 1972, GIBIDI had designed and manufactured with quality at the very centre of its ethos. This ethos is reflected in our products and the service we strive to provide.

GIBIDI products are manufactured at two plants: Our Poggio Rusco facility serves as our centre for mechanical design, assembly and testing, whilst at Casale Litta, our team is focused on the design and production of our electrical components and equipment. All in all, GIBIDI has in excess of 6,000 square meters dedicated to bringing our Creative Automations to life.

Today, we have a global reach, with active subsidiaries and specialised distributors in over 40 countries.





ACCESS CONTROL
AND AUTOMATION.

4



CREATIVE MISSION

GIBIDI mission is creating freedom of movement. Get in and out, open and close gates, garages and all the entrances with a simple gesture in complete comfort.

Freedom of movement for all: end users, dealers, installers.



CREATIVE EVOLUTION

Siamo attenti alle richieste del mercato e all'evoluzione dei bisogni degli utenti, cercando sempre di anticiparli.

Per questo motivo GIBIDI investe continuamente nella ricerca e nello sviluppo di nuove soluzioni per semplificare la vita ai nostri clienti attraverso tecnologie e servizi all'avanguardia.



CREATIVE KNOW-HOW

A history of more than 50 years reflects in products quality and technological solutions of GIBIDI automatic devices: for instance the hydraulic system with vacuum-pack circuit, that grants the inalterability and reliability of performances over time, that is an exclusive characteristic in the market.

Thanks to our knowledge and technical mastery, we have been able to develop new services, as the direct and customized technical training for our partners, the warranty for 3 years on our products and a high level technical service.



CREATIVE AUTOMATIONS

GIBIDI creates the best automations thanks to a team of true, enthusiastic and enterprising people, always by customers side and ready for future challenges.

No fears, but always smiling.



ACCESS CONTROL AND AUTOMATION.



Dear customer, it is with great pleasure that we present the new 2025 catalogue. We continue to invest to improve the quality of products and the level of services. From this year and for the foreseeable future, many new features will be made available to everyone. Among the most significant we find the new RUNNER series range for awnings and shutters with BIDIRECTIONAL technology, the new SL530 for 500KG sliding gates, the new versions of the SERRA and the new GROUND 634. Discover also the new range of ROAD bollards and the new automations for ST series shutters, the new control units for shutters and much more. We are also present on all the major social networks, through which you can stay in touch with us and discover other news. With GIBIDI for a more creative world.



SL530

230 Vac Operator for sliding gates max 500 Kg



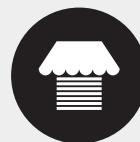
GROUND 634

New 24 Vdc version with encoder



REB

New REB range. Bidirectional motors



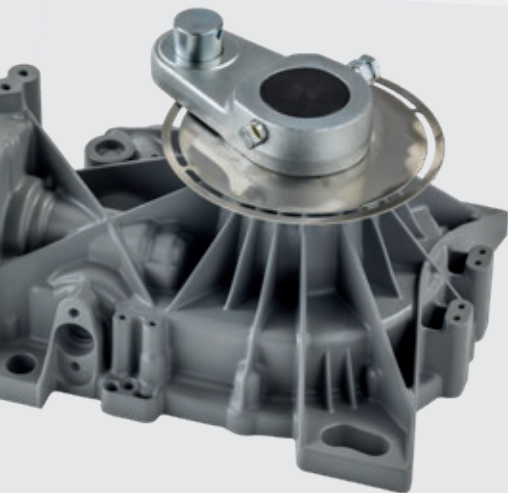
ST RANGE

New Range for shutters

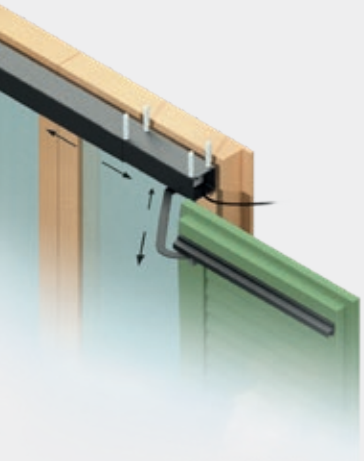




SERRA 330
230 Vac swing gate operator



ROAD RANGE
New rising bollards



RB3
New wireless safety edges



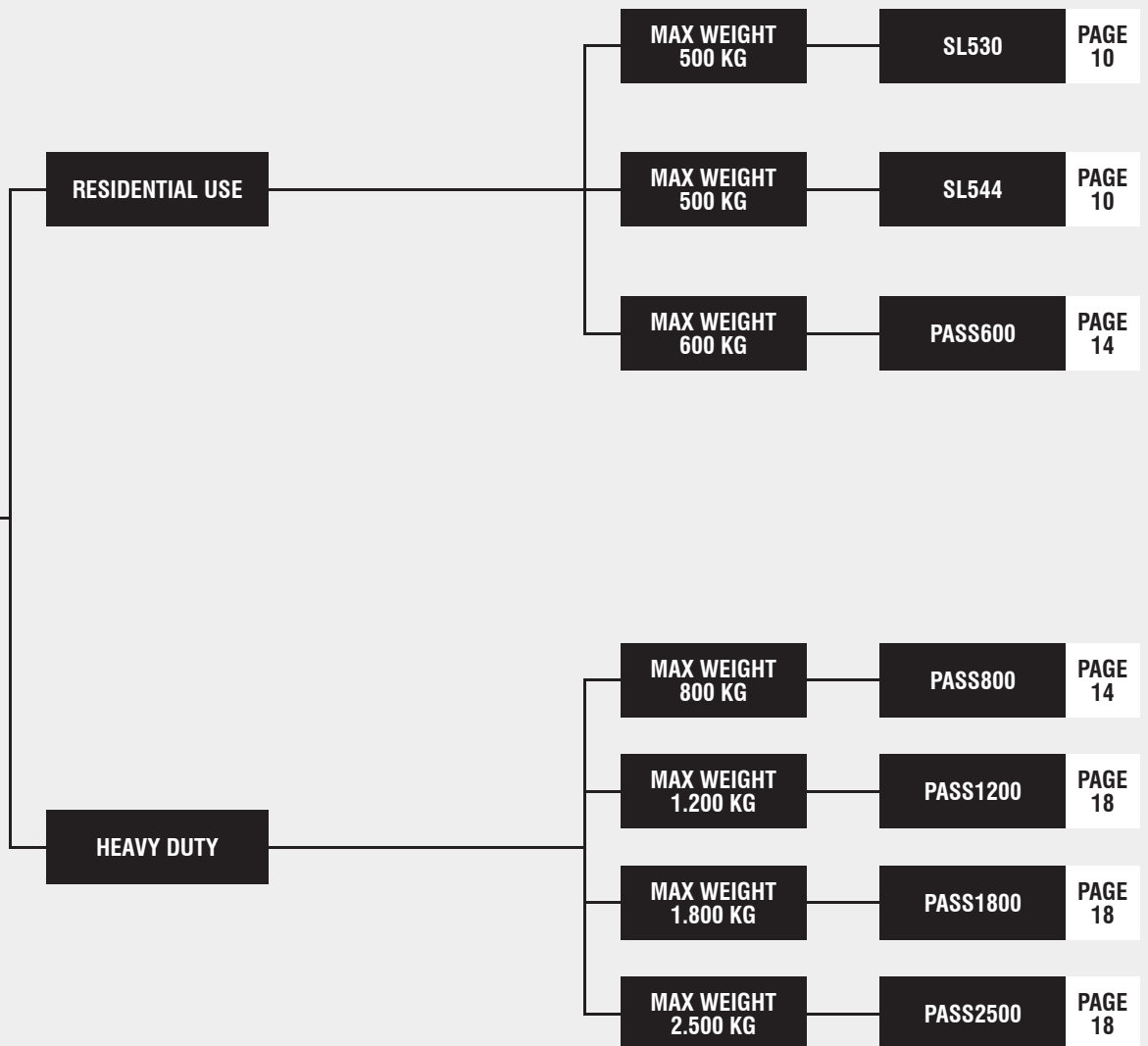


SLIDING GATES SYSTEMS.

8



ELECTROMECHANICS





SLIDING GATES SYSTEMS.

10

SL530-544

230-24V

*PRODUCT ALSO AVAILABLE
AT 115 VAC

UP TO 500KG

Electromechanical irreversible gearmotor for Sliding gates of small and medium size (up to 500 Kg). Suitable for residential use.

EASY TO INSTALL

Thanks to the encoder technology, the new graphic display (24 Vdc only), that guides you step-by-step, and self-learning. Possibility of adjustments on horizontal and vertical axis.

SILENT AND STRONG

Thanks to the steel and bronze-aluminium gears that make it reliable over time. Bearings release device mechanism.

FAST AND RELIABLE

Fast and controlled movement up to 22cm/sec, highest level of safety, as provided in EN 12453 standards.

TECHNOLOGICAL

Control unit SE24 built-in with automatic learning function of gate parameters. RTC (Real Time clock) with battery to manage timer and logs events. SC131 analogic control unit for the 230Vac with self-learning and slow-downs.

POWER CUT/BATTERY BACK-UP

By the use of an optional battery kit, the gates can operate during the loss of a mains power supply.



EMBEDDED
CONTROL UNIT



PAINTED
ALUMINIUM
STRUCTURE



STEEL MADE
GEARS



BACKLIT GRAPHIC
DISPLAY

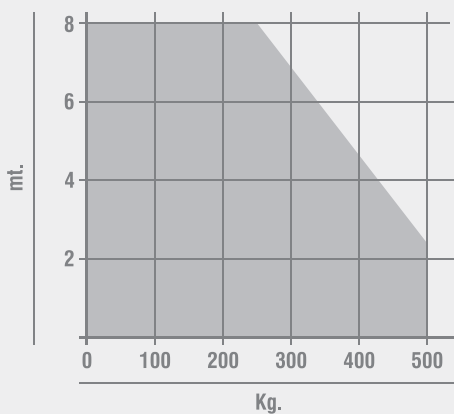


DOWNLOAD
MORE CONTENT

TECHNICAL FEATURES

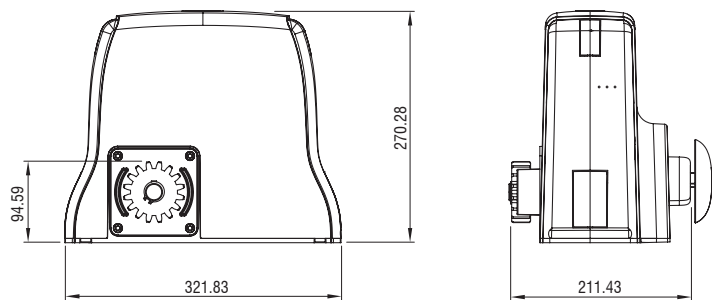
	SL544	SL530
Type of use	HEAVY DUTY	RESIDENTIAL
Frequency of use	90%	40%
Motor power supply	24 Vdc	230 Vac
Absorbed power	100W	450W
Protection degree	IP55	IP44
Gate speed	220 mm/s (13 m/min) - Z=16 M4	160 mm/s (10 m/min) - Z=16 M4
Max torque	12 Nm	15 Nm
Nominal torque	6 Nm	10 Nm
Adjustable torque	ELECTRONIC	ELECTRONIC
Adjustable speed	YES	YES
Max gate weight	500 Kg	500 Kg
Operating temperature	-20°C +60°C	-20°C +60°C
Type of lubrication	GBD WH-01 GREASE	GBD WH-01 GREASE
Weight of the unit	8 Kg	9 Kg

APPLICATION DIAGRAM



■ SL 544 ■ SL 530

DIMENSIONS





SLIDING GATES SYSTEMS.


12

SL530-544

230-24V

*PRODUCT ALSO AVAILABLE
AT 115 VAC

UP TO 500KG

					Code
1A	SL544	With SE24* control unit and encoder	1	40	975044
1B	SL530	With SC131* control unit	1	40	97530

! Foundation plate not included

* Control unit technical details, see page 119

ACCESSORIES



AJ00600
Manual release device
with personalized keys.



A90702P
Spare handle for SL
release device



AJ92190
Foundation plate
for SL and PASS



AJ00910
"L" shaped bracket for
magnetic limit switches
(to be welded)



AJ00605
Plastic enclosure
for SL battery back-up



AJ00606
24V Battery charger board
for AJ00605





AJ00900
Nr 1 battery (12V - 1,9Ah).
For 24V system need 2 pcs.



AJ91111
Steel core gear rack module 4,
with nylon fiber coating, max 600kg



AJ911123
4 mt of C40 steel gear rack module 4 (30x12)
with 12 spacers. For gates over 600 kg.

			Code
KIT SL544	1	40	K544BFSLT
KIT SL530	1	40	K530BFSLT

INCLUDED IN THE KIT:



1 SL530/544
with embedded
control unit



2 70750
Complete flashing lamp
device DSL70750
12-24-115-230V



3 Radio receiver board



4 AU03100
MAKO remote control
433Mhz



5 AU01940
Wall mounted key selector
model DCS100

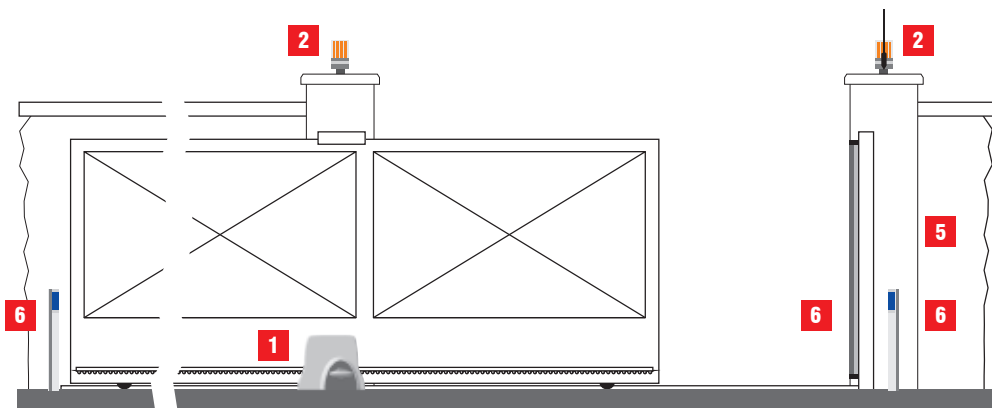


6 AU02250
Pair of DCF180
wall mounted photocells



7 AJ75800
Gate warning plate

INSTALLATION LAY-OUT





SLIDING GATES SYSTEMS.

14

PASS 800

230V *PRODUCT ALSO AVAILABLE AT 115 VAC

UP TO 800KG

Irreversible electromechanical gearmotor in 230 Vac for sliding gates of medium size and weight (up to 800 Kg), for residential and heavy use.

EASY TO INSTALL

Control unit in a very good position for the installer. Possibility of adjustments on horizontal and vertical axis.

SILENT AND STRONG

Made with heat-treated gears, big size, completely in oil bath. Painted aluminium structure, that makes it reliable over time.

PERFORMING

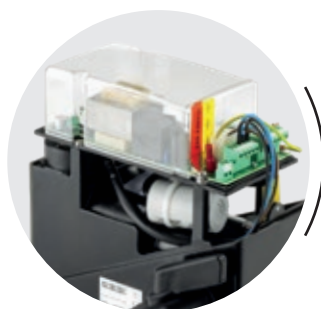
Special motors in oil bath for the best yield even in case of heavy use. New irreversible and ant slip gears.

TECHNOLOGICAL AND SAFE

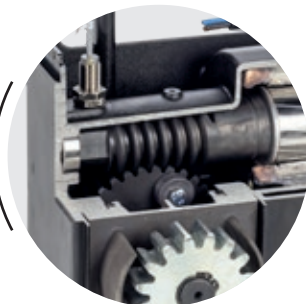
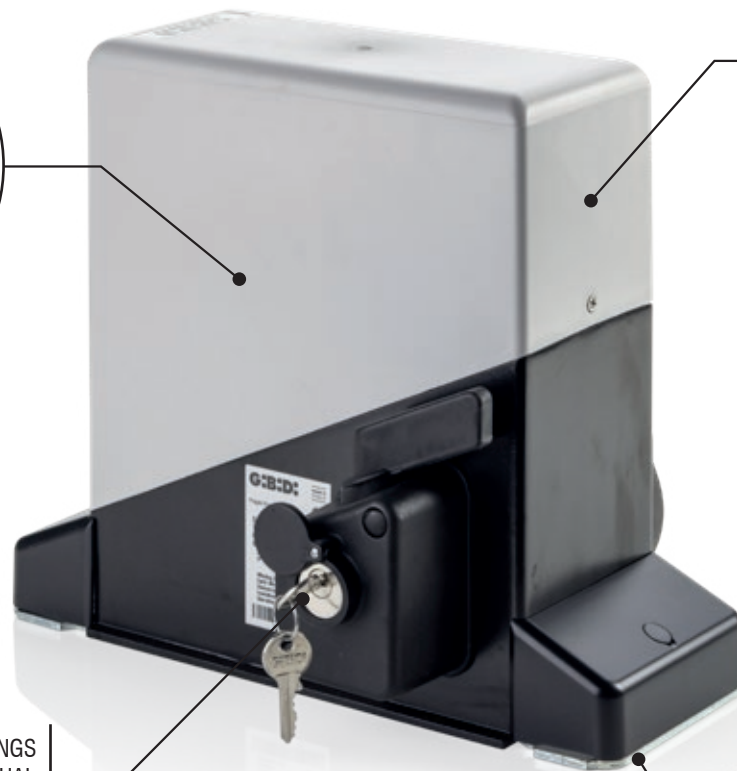
Built-in control unit provided with all the inputs for safety devices, embedded encoder technology for a simple self-learning and the adjustment of the anti-crushing sensitivity. Highest safety level, as provided in EN 12453 standards.

DESIGN

The most compact of its category because of its direct horizontal motor, only 10 cm of thickness.



EMBEDDED CONTROL UNIT



OIL BATH HARDENED STEEL GEARS

BEARINGS OPERATED MANUAL RELEASE DEVICE



ADJUSTABLE STEEL BRACKETS

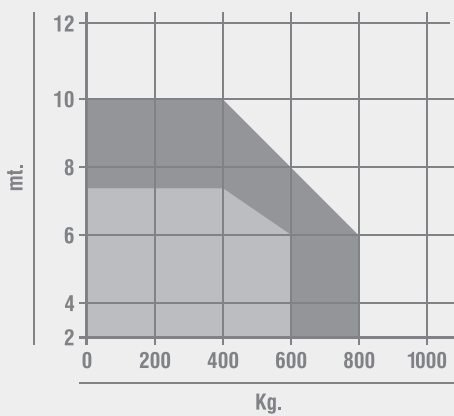


DOWNLOAD MORE CONTENT

TECHNICAL FEATURES

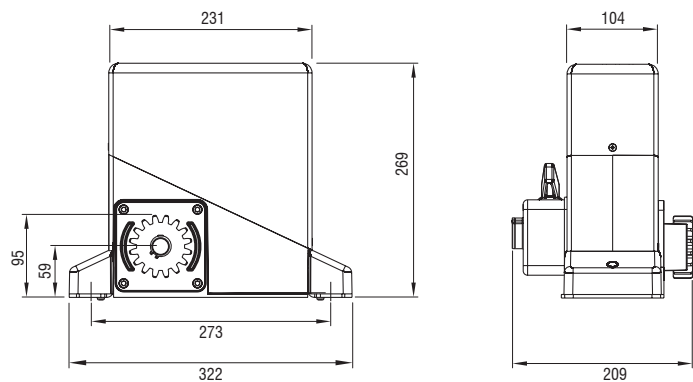
	PASS 800
Type of use	HEAVY DUTY
Frequency of use	40%
Motor power supply	230Vac - 50/60Hz
Absorbed power	400W
Protection degree	IP55
Gate speed	160 mm/s (9,6 m/min) - Z=16 M4
Max torque	24 Nm
Adjustable torque	ELECTRONIC
Adjustable speed	YES
Max gate weight	800 Kg
Operating temperature	-20°C + 60°C
Thermal switch	140°C
Type of lubrication	OIL GBD PH-01
Weight of the unit	12 Kg

APPLICATION DIAGRAM



■ **PASS 800**

DIMENSIONS







SLIDING GATES SYSTEMS.

16

PASS 800

230V *PRODUCT ALSO AVAILABLE AT 115 VAC

UP TO 800KG

				Code
PASS821	Without control unit, with limit switch reader	1	30	9270089LN
1 PASS841E	With SC230E* control unit and encoder EN	1	30	927708A9LN

! Foundation plate not included

***** Control unit technical details, see page 121

ACCESSORIES



AJ92190
Foundation plate
for SL and PASS



AJ00910
"L" shaped bracket for
magnetic limit switches
(to be welded)



AJ00590
Fast pinion Z=18 M4,
173mm/sec



AJ00480
Wider pinion
Z=16 M4



AJ91111
Steel core gear rack module 4,
with nylon fiber coating, max 600kg



AJ911123
4 mt of C40 steel gear rack module 4 (30x12)
with 12 spacers. For gates over 600 kg.

KIT PASS 841E	1 x1	2 x1	3 x1	4 x2	5 x1	6 x1	7 x1		SF	EN		1		30	Code K8256LNBFSLT
---------------	-------------	-------------	-------------	-------------	-------------	-------------	-------------	--	----	----	--	---	--	----	----------------------

INCLUDED IN THE KIT:



1 PASS 800
PASS operator with embedded SC230E control unit



2 70750
Complete flashing lamp device DSL70750
12-24-115-230V



3 AU02910
2 channels plug-in receiver board for control units



4 AU03100
MAKO remote control 433Mhz



5 AU01940
Wall mounted key selector model DCS100

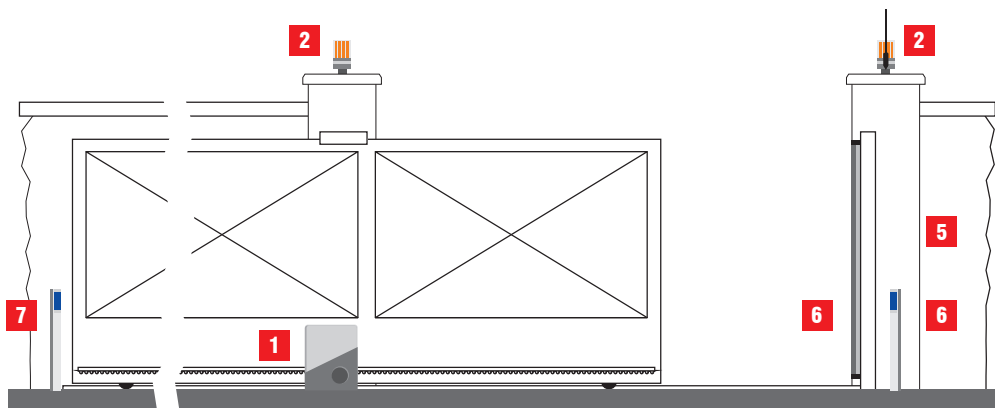


6 AU02250
Pair of DCF180 wall mounted photocells



7 AJ75800
Gate warning plate

INSTALLATION LAY-OUT





SLIDING GATES SYSTEMS.

18 **PASS 1200 - 1800 - 2500**

230-380V *PRODUCT ALSO AVAILABLE AT 115 VAC

UP TO 2500KG

Irreversible electromechanical gear motor in 230 Vac and 400 Vac three-phase for sliding gates of big size and weight (up to 2.500 Kg), for heavy duty.

EASY TO INSTALL

Control unit in a very good position for the installer. Encoder technology for an easy auto-learning set up. Possibility of adjustments on horizontal and vertical axis.

SILENT AND STRONG

Made with heat-treated gears, big size, completely in oil bath (1 kg of oil). Painted aluminium structure that makes it reliable over time.

PERFORMING

Special motors in oil bath for the best yield even in case of heavy use, versions with mechanical double-disc clutch (PASS2500). New irreversible and anti-sliding gears.

TECHNOLOGICAL AND SAFE

Built-in control unit provided with all the inputs for safety devices, embedded encoder technology for a simple self-learning and the adjustment of the anti-crushing sensitivity. Highest safety level, as provided in EN 12453 standards.

DESIGN

The most compact of its category because of its direct horizontal motor, only 14 cm of thickness.

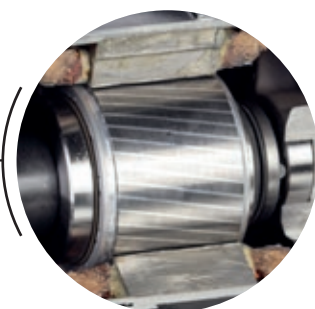


EMBEDDED CONTROL UNIT



OIL BATH HARDENED STEEL GEARS

BEARINGS OPERATED MANUAL RELEASE DEVICE



OIL BATH DUAL DISK CLUTCH (PASS2500)

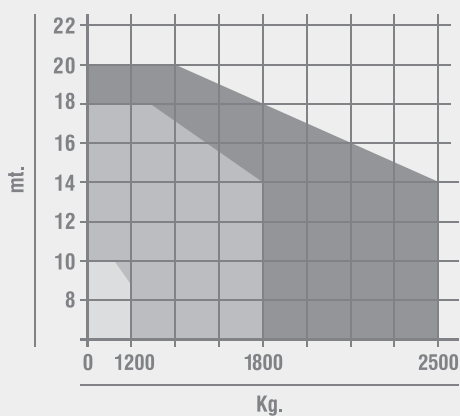


DOWNLOAD MORE CONTENT

TECHNICAL FEATURES

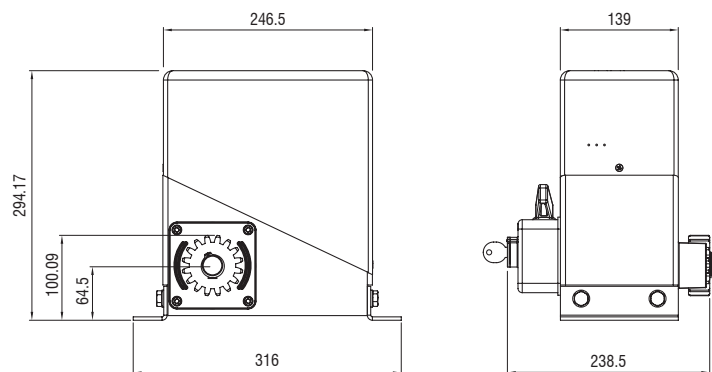
	PASS1200	PASS1800	PASS2500
Type of use	HEAVY DUTY	HEAVY DUTY	HEAVY DUTY
Frequency of use	90%	60%	70%
Motor power supply	230Vac - 50/60Hz	230Vac - 50/60Hz	380Vac - 3 phase
Absorbed power	700w	700W	750W
Protection degree	IP55	IP55	IP55
Gate speed	150 MM/S (9 M/MIN) - Z=16 M4	150 mm/s (9 m/min) - Z=16 M4	150 mm/s (9 m/min) - Z=16 M4
Max torque	50 Nm	60 Nm	90 Nm
Adjustable torque	ELECTRONIC	ELECTRONIC	MECHANICAL
Adjustable speed	YES	YES	NO
Max gate weight	1.200 Kg	1.800 Kg	2.500 Kg
Operating temperature	-20°C +60°C	-20°C +60°C	-20°C +60°C
Thermal switch	140°C	140°C	140°C
Type of lubrication	OIL GBD PH-02 (1 Kg)	OIL GBD PH-02 (1 Kg)	OIL GBD PH-02 (1 Kg)
Weight of the unit	15 Kg	15 Kg	15 Kg

APPLICATION DIAGRAM



■ PASS 1200/30/40 ■ PASS 1800/30/40 ■ PASS 2500

DIMENSIONS





SLIDING GATES SYSTEMS.

20

PASS 1200 - 1800 - 2500

230-380V

*PRODUCT ALSO AVAILABLE AT 115 VAC

UP TO 2500KG

					Code
PASS1221	Without control unit, with limit switch reader	SF	1	36	9390129LN
1A PASS1241E	With SC230E* control unit and encoder	SF EN	1	36	939812A9LN
PASS1821	Without control unit, with limit switch reader	SF	1	36	9390189LN
1B PASS1841E	With SC230E* control unit and encoder	SF EN	1	36	939818A9LN
PASS2500	Without control unit, with limit switch reader		1	36	939025N
PASS2500E	Without control unit, with limit switch reader and encoder	EN	1	36	939025AN

! Foundation plate not included

***** Control unit technical details, see page 121

SF Model without mechanical clutch

ACCESSORIES



AJ92190
Foundation plate
for SL and PASS



AJ00910
"L" shaped bracket for
magnetic limit switches
(to be welded)

CONTROL UNITS



AS05800
Recommended control unit
for PASS2500 (SC380)
See page 120



AJ00580
Fast pinion Z=18 M4,
172mm/sec



AJ00470
Wider pinion
Z=16 M4



AJ91123
4 mt of C40 steel gear rack module 4 (30x12)
with 12 spacers. For gates over 600 kg.

																			Code	
KIT PASS 1241E	1A	x1	2	x1	3	x1	4	x2	5	x1	6	x1	7	x1	🔑	SF	EN	1	30	K1241ENBFSLT
KIT PASS 1841E	1B	x1	2	x1	3	x1	4	x2	5	x1	6	x1	7	x1	🔑	SF	EN	1	30	K1841ENBFSLT

! The kit is supplied in multiple packages

INCLUDED IN THE KIT:



1 PASS 1200-1800
PASS operator with embedded SC230E control unit



2 70750
Complete flashing lamp device DSL70750 12-24-115-230V



3 AU02910
2 channels plug-in receiver board for control units



4 AU03100
MAKO remote control 433Mhz



5 AU01940
Wall mounted key selector model DCS100

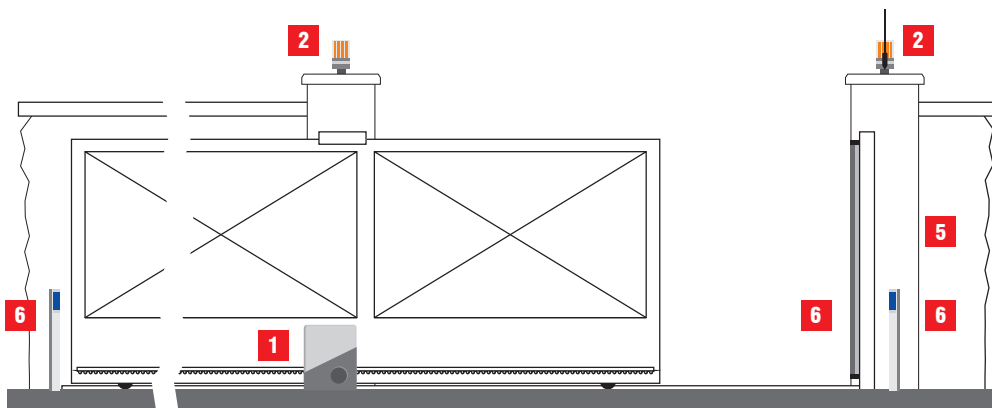


6 AU02250
Pair of DCF180 wall mounted photocells



7 AJ75800
Gate warning plate

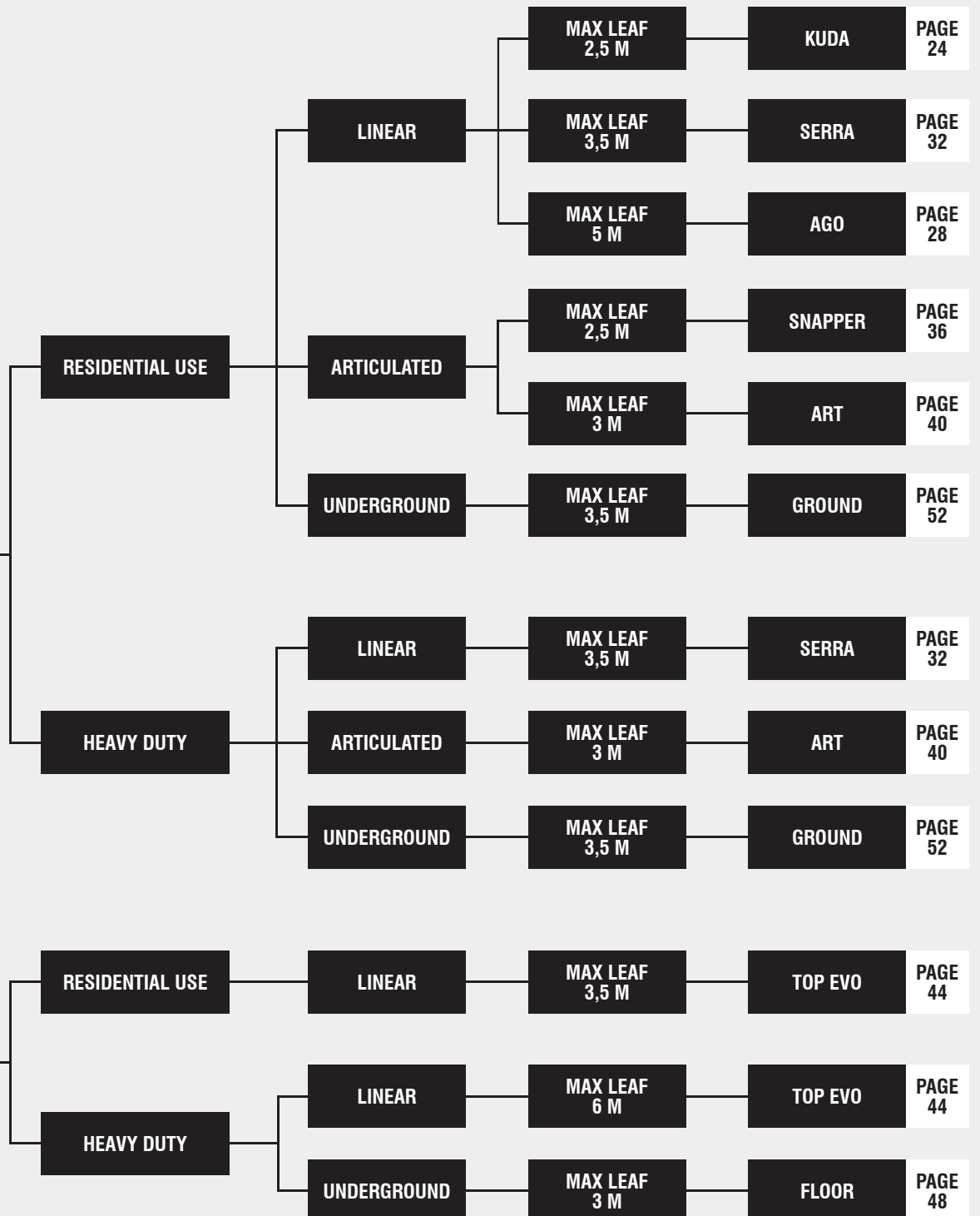
INSTALLATION LAY-OUT





ELECTROMECHANICS

HYDRAULICS





Electromechanical operator in 24Vdc with encoder, for swinging gates of small size and weight, for residential use.

EASY TO INSTALL

Thanks to the adjustable brackets, that it is not necessary to weld. The control unit offers the complete self-learning function. Supplied with 1m cable.

SILENT AND FAST

Made with gears in steel, bronze-aluminium and special polymers. This combination allows managing a high and adjustable speed of movement.

TECHNOLOGICAL AND SAFE

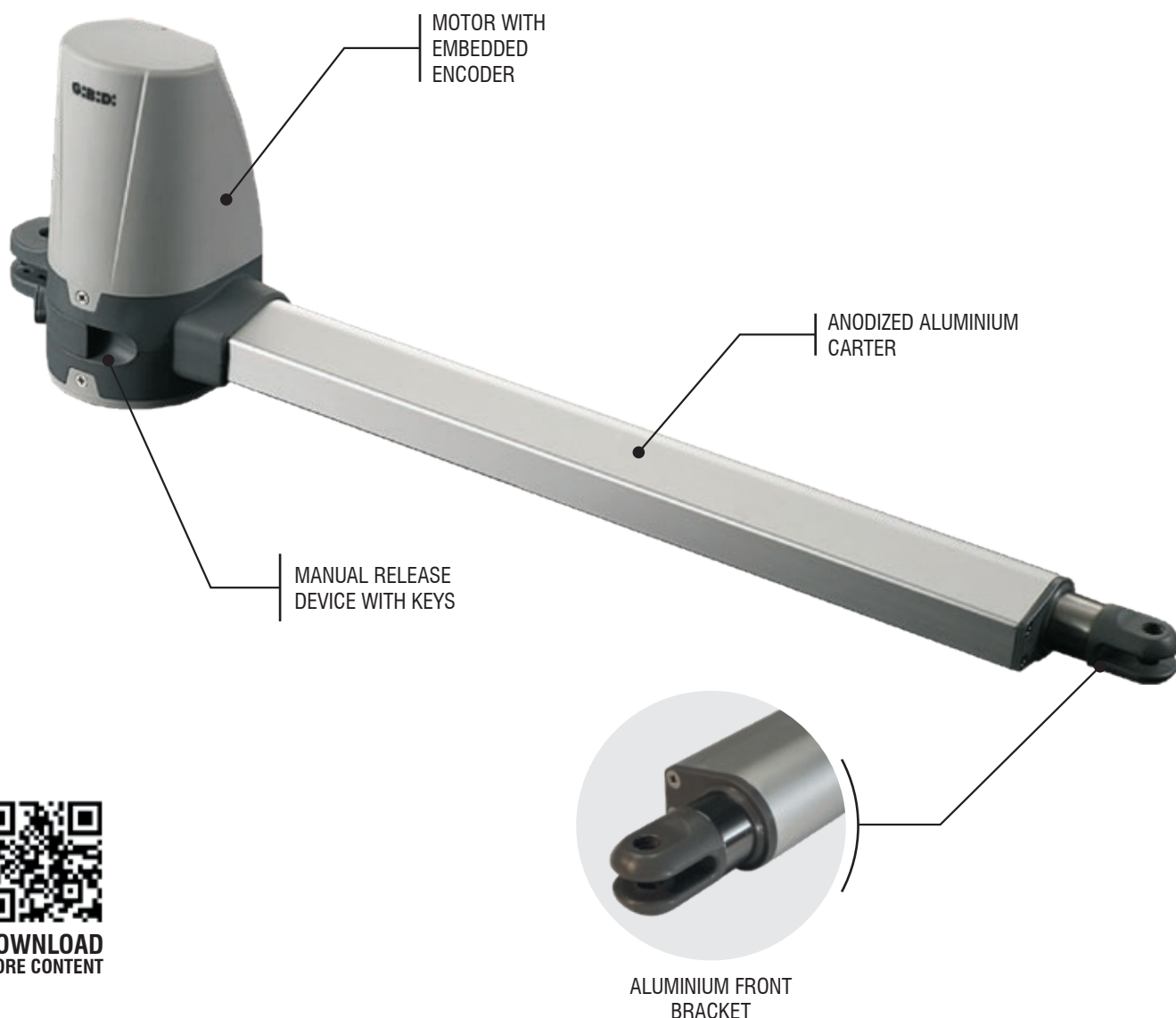
Built-in innovative encoder technology. Thanks to the GIBIDI control unit provided with all the inputs for safety devices, included the encoder sensor for the adjustment of the integrated anti-crushing sensitivity it is possible to meet the highest safety level, as provided in EN 12453 standards.

DESIGN

The most compact of its category with a tapered and simple design, suitable for every kind of gate.

POWER CUT/BATTERY BACK-UP

By the use of an optional battery kit, the gates can operate during the loss of a mains power supply



DOWNLOAD MORE CONTENT

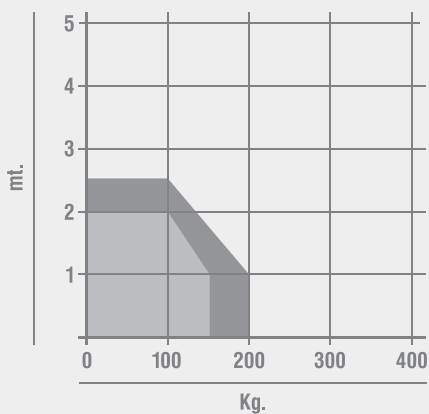
TECHNICAL FEATURES

	KUDA150	KUDA200
Type of use	RESIDENTIAL	RESIDENTIAL
Frequency of use	INTENSIVE	INTENSIVE
Motor power supply	24 Vdc	24 Vdc
Absorbed power	100W	100W
Protection degree	IP44	IP44
Rod speed	20 mm/s	20 mm/s
Max rod stroke	360 mm	400 mm
Max thrust force	1.000 N	1.500 N
Adjustable force	ELECTRONIC	ELECTRONIC
Adjustable speed	YES**	YES**
Max leaf width	2,0 m*	2,5 m*
Operating temperature	-20°C + 60°C	-20°C + 60°C
Encoder/limit switch	ENCODER	ENCODER
Type of lubrication	GREASE GBD WH-01	GREASE GBD WH-01
Weight of the unit	4,5 Kg	5 Kg

* In case of blind leaf or wind presence or leaf over 2.5 m, the use of the electric lock is necessary

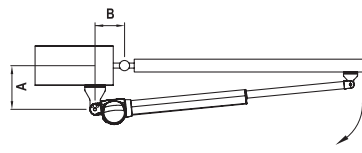
** By the use of the BE24 control board

APPLICATION DIAGRAM



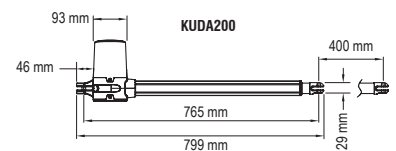
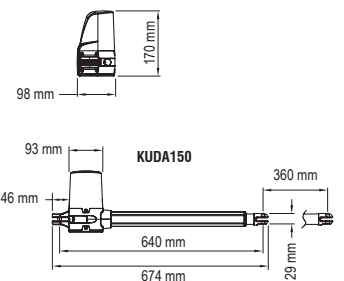
■ KUDA150 ■ KUDA200

INSTALLATION MEASURES



	B	A	B
KUDA150	90°	180	180
KUDA150	110°	160	160
KUDA200	90°	200	200
KUDA200	110°	190	190

DIMENSIONS





						Code
1A	KUDA150SX	Kuda 150 - left hand operator	EN	1	28	15000SX
1A	KUDA150DX	Kuda 150 - right hand operator	EN	1	28	15000DX
1B	KUDA200SX	Kuda 200 - left hand operator	EN	1	20	22000SX
1B	KUDA200DX	Kuda 200 - right hand operator	EN	1	20	22000DX

ACCESSORIES

CONTROL UNITS



AJ01483
Battery back kit
for BE24 board



AJ00632
24V electric-lock
(see page 140 for the
counter plate model)



P9AH06010
Spare keys for Kuda
release device



AS06250
For 1 or 2 motors (BE24)
See page 119



AJ70164
Counterbushing for
horizontal mounting



AJ70163
Ground plate for
vertical mounting



AJ00862
Left/right leaf lock

			Code
KIT KUDA150 1A x2 2 x1 3 x1 4 x1 5 x2 6 x1 7 x1 8 x1 EN	1	24	K155BFSLT
KIT KUDA200 1B x2 2 x1 3 x1 4 x1 5 x2 6 x1 7 x1 8 x1 EN	1	20	K205BFSLT

INCLUDED IN THE KIT:



1 KUDA 150-200
KUDA Operators



2 AS06250
For 1 or 2 motors
(BE24)



3 Radio receiver board



4 70750
Complete flashing lamp
device DSL70750
12-24-115-230V



5 AU03100
MAKO remote control
433Mhz



6 AU01940
Wall mounted key selector
model DCS100

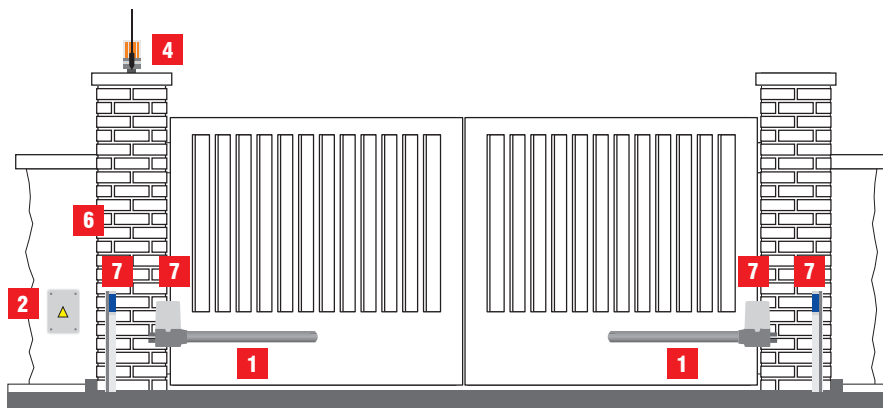


7 AU02250
Pair of DCF180
wall mounted photocells



8 AJ75800
Gate warning plate

INSTALLATION LAY-OUT





Electromechanical operator in 230 Vac and 24 Vdc with encoder, for swinging gates of medium and big size, for residential and heavy use.

EASY TO INSTALL

Thanks to the adjustable brackets, that it is not necessary to weld.

SILENT AND FAST

Gears in steel, bronze-aluminium. Thanks to this combination, you can manage a high and adjustable speed of movement.

TECHNOLOGICAL AND SAFE

24 Vdc version is provided with encoder to simply manage

the automatic programming and the adjustment of the integrated anti-crushing sensitivity. Highest safety level, as provided in EN 12453 standards.

DESIGN AND RELIABILITY

The most compact of its category with a tapered and simple design, suitable for every kind of gate. Completely made in die-cast aluminium and steel powder coating painted. The rod is in stainless steel.

POWER CUT/BATTERY BACK-UP

By the use of an optional battery kit, the gates can operate during the loss of a mains power supply



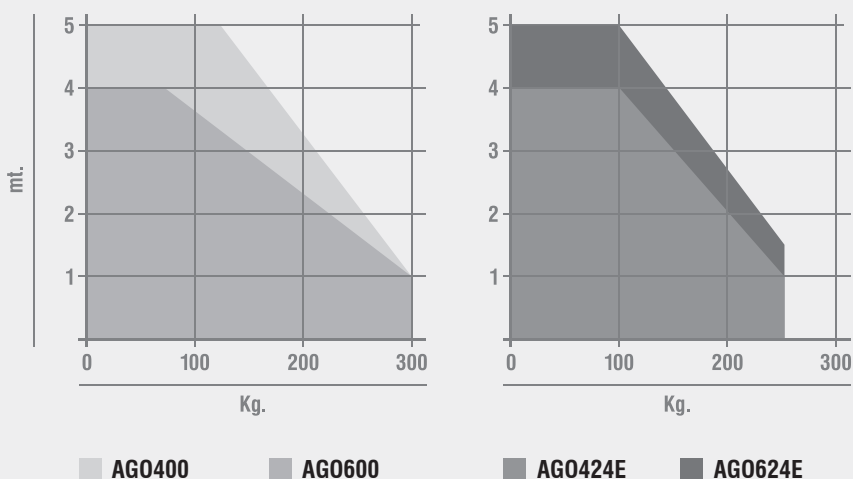
DOWNLOAD MORE CONTENT

TECHNICAL FEATURES

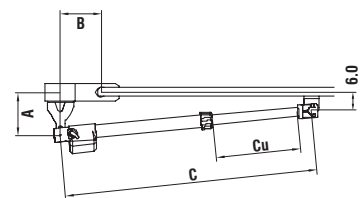
	AGO400	AGO600	AGO424E	AGO624E
Type of use	RESIDENTIAL	RESIDENTIAL	RESIDENTIAL/HEAVY DUTY	RESIDENTIAL/HEAVY DUTY
Frequency of use	30%	30%	90%	90%
Motor power supply	230Vac - 50/60Hz	230Vac - 50/60Hz	24 Vdc	24 Vdc
Absorbed power	1,5 A	1,5 A	0,5 - 5,5 A	0,5 - 5,5 A
Protection degree	IP43	IP43	IP43	IP43
Rod speed	18mm/s	18mm/s	18mm/s	18mm/s
Max rod stroke	400 mm	600 mm	400 mm	600 mm
Max thrust force	1.600 N	1.600 N	1.500 N	1.500 N
Adjustable force	ELECTRONIC	ELECTRONIC	ELECTRONIC	ELECTRONIC
Adjustable speed	YES	YES	YES	YES
Max leaf width	4 m*	5 m*	4 m*	5 m*
Operating temperature	-25°C +60°C	-25°C +60°C	-25°C +60°C	-25°C +60°C
Encoder/limit switch	NO	NO	ENCODER	ENCODER
Type of lubrication	GREASE GBD WH-01	GREASE GBD WH-01	GREASE GBD WH-01	GREASE GBD WH-01
Weight of the unit	5,5 Kg	6 Kg	5,5 Kg	6 Kg

* In case of blind leaf or wind presence or leaf over 2.5 m, the use of the electric lock is necessary

APPLICATION DIAGRAM





INSTALLATION MEASURES



	OPENING 95°			
	A	B	C	Cu
AGO400	145	145	1122	478
AGO600	280	280	1532	678

	OPENING 120°			
	A	B	C	Cu
AGO400	170	110	1122	478
AGO600	310	120	1532	678



					Code
1A	AGO400SX	AGO400 - left hand operator	1	40	16000SX
1A	AGO400DX	AGO400 - right hand operator	1	40	16000DX
	AGO600SX	AGO600 - left hand operator	1	21	17000SX
	AGO600DX	AGO600 - right hand operator	1	21	17000DX
1B	AGO424ESX	AGO424E - left hand operator	1	40	16024SX
1B	AGO424EDX	AGO424E - right hand operator	1	40	16024DX
	AGO624ESX	AGO624E - left hand operator	1	21	17024SX
	AGO624EDX	AGO624E - right hand operator	1	21	17024DX

ACCESSORIES



AJ01483
Battery back kit
for BE24 board



AJ00632
24V electric-lock
(see page 140 for the
counter plate model)



AJ70164
Counterbushing for
horizontal mounting



AJ70163
Ground plate for
vertical mounting



AJ00862
Left/right leaf lock

CONTROL UNITS



AS06320
For 1 or 2 motors (F4)
See page 118



AS06250
For 1 or 2 motors (BE24)
See page 119

			Code
KIT AGO400	1A x2 2A x1 3A x1 4 x1 5 x2 6 x1 7 x1 8 x1	1 20	K160BFSLT
KIT AGO424E	1B x2 2B x1 3B x1 4 x1 5 x2 6 x1 7 x1 8 x1 EN	1 20	K164BFSLT

INCLUDED IN THE KIT:



1 AGO 400-424
AGO Operators



2A AS06320
For 1 or 2 motors
(F4)



2B AS06250
For 1 or 2 motors
(BE24)



3A AU02910
2 channels plug-in
receiver board
for control units



3B Radio receiver board



4 70750
Complete flashing lamp
device DSL70750
12-24-115-230V



5 AU03100
MAKO remote control
433Mhz



6 AU01940
Wall mounted key selector
model DCS100

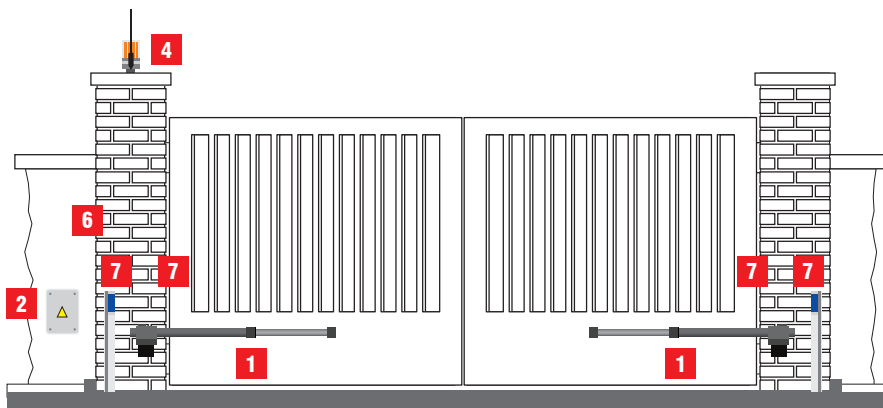


7 AU02250
Pair of DCF180
wall mounted photocells



8 AJ75800
Gate warning plate

INSTALLATION LAY-OUT





Electromechanical operator in 230 Vac or 24 Vdc with encoder, for swinging gates of medium and big size, for heavy use.

EASY TO INSTALL

Operator and encoder pre-cabled, adjustable brackets included and door retainers integrated.

SILENT AND FAST

Made with gears in steel and bronze-aluminium, that allow managing a high and adjustable speed of movement.

TECHNOLOGICAL AND SAFE

Latest generation encoder, strong motor, suitable also for heavy uses. Gears and dragging screw completely protected.

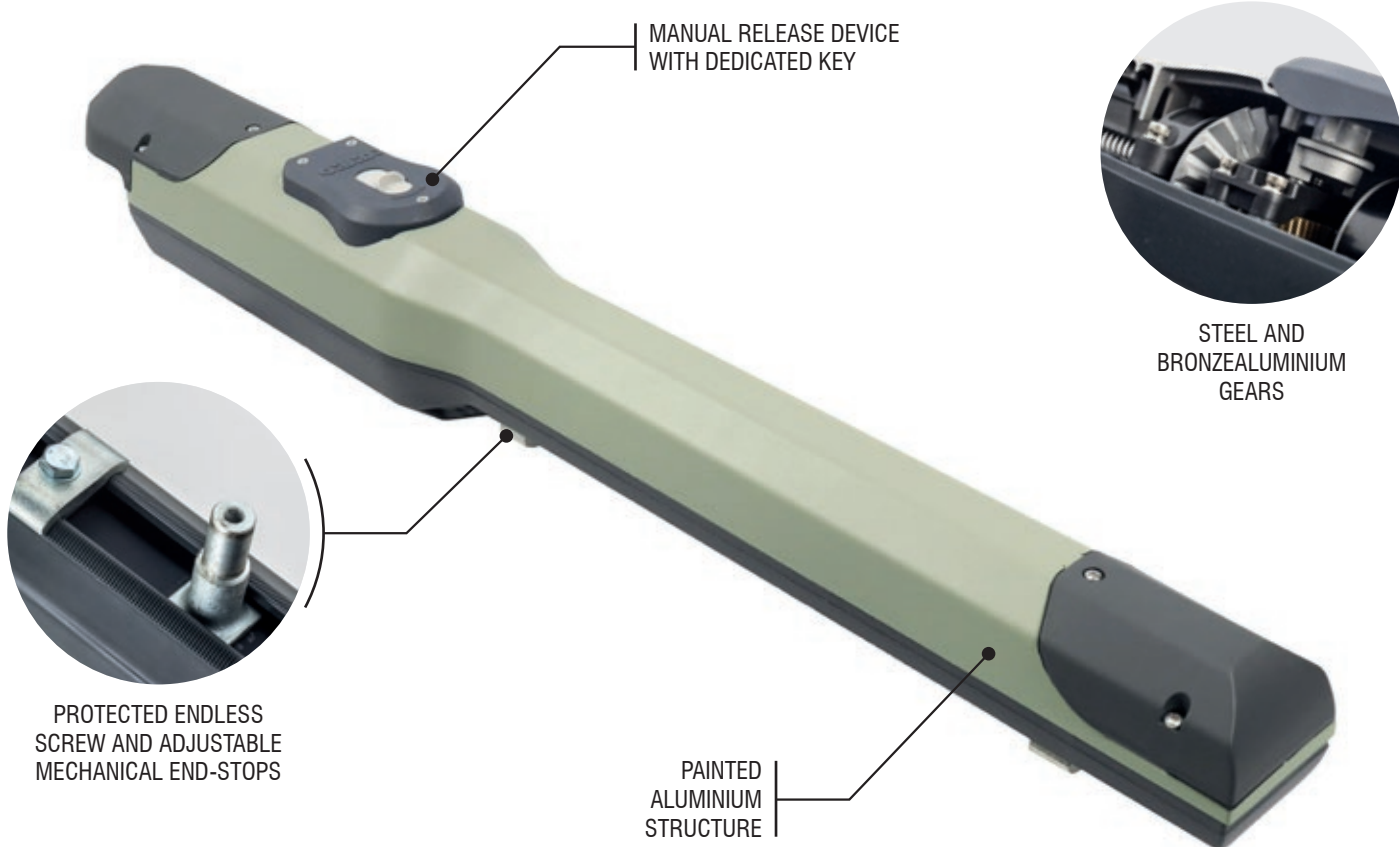
GIBIDI control units, with the embedded anti-crushing sensitivity feature, allow reaching the highest level of safety, as established by EN 12453 standard.

DESIGN

Made with a double aluminium die-cast shell and powder painted, soft and modern lines to fit every kind of gate.

POWER CUT/BATTERY BACK-UP

By the use of an optional battery kit, the gates can operate during the loss of a mains power supply.



PROTECTED ENDLESS SCREW AND ADJUSTABLE MECHANICAL END-STOPS



DOWNLOAD MORE CONTENT

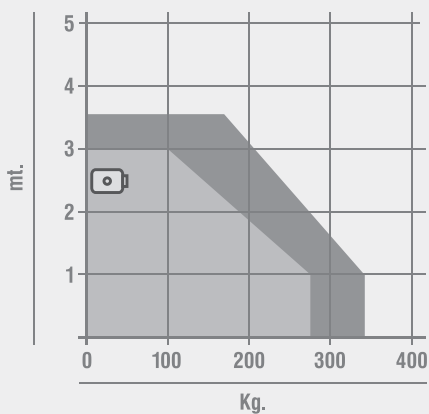
TECHNICAL FEATURES

	SERRA321	SERRA 330
Type of use	HEAVY DUTY	RESIDENTIAL
Frequency of use	90%	30%
Motor power supply	24Vdc	230Vac
Absorbed power	100W	250 W
Protection degree	IP44	IP44
Rod speed	20mm/s	18mm/s
Max rod stroke	320 mm	320 mm
Max thrust force	1500 N	1200 N
Adjustable force	ELECTRONIC	ELECTRONIC
Adjustable speed	YES**	NO**
Max leaf width	3,5 m*	3,5 m*
Operating temperature	-25°C + 60°C	-25°C + 60°C
Encoder/limit switch	ENCODER	NO
Type of lubrication	GREASE GBD WH-01	GREASE GBD WH-01
Weight of the unit	8,2 Kg	8,2 Kg

* In case of blind leaf or wind presence or leaf over 2.5 m, the use of the electric lock is necessary

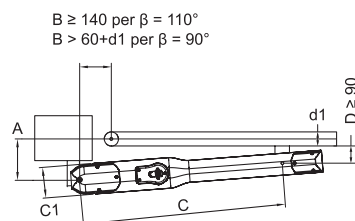
** By the use of the BE24 control board

APPLICATION DIAGRAM



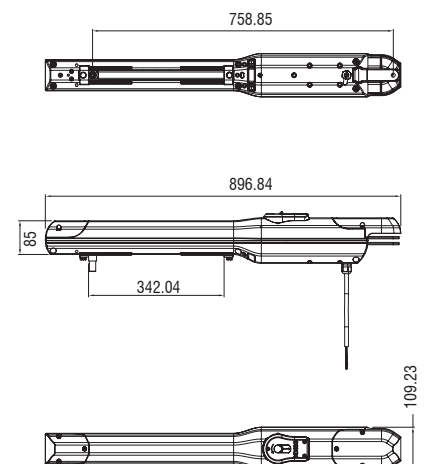
■ Suggested application ■ Max application
 ☐ Electric-lock

INSTALLATION MEASURES



	β	A	B	C	D	C1
SERRA320	90°	140	125	725	100	109x151
SERRA320	90°	150	150	731	100	109x151
SERRA320	100°	140	140	730	90	109x151
SERRA320	110°	120	140	730	90	109x151

DIMENSIONS





						Code
1A	SERRA321	24V with encoder and adjustable mechanical end stops	EN	1	50	15841
1B	SERRA330	230V with adjustable mechanical end stops		1	50	15843

ACCESSORIES

CONTROL UNITS



AJ00513
metal counter plate
for standard brackets



AJ01570
set of adjustable brackets
for weldless applications



AJ01483
Battery back kit
for BE24 board



AJ00632
24V electric-lock
(see page 140 for the
counter plate model)



AS06250
For 1 or 2 motors (BE24)
See page 119



AJ70164
Counterbushing for
horizontal mounting



AJ70163
Ground plate for
vertical mounting



AJ00862
Left/right leaf lock



AS06320 (F4)
See page 118

SERRA300

KIT

												Code	
KIT SERRA321	1A x2	2A x1	3 x1	4 x1	5 x2	6 x1	7 x1	8 x1		EN	1	15	K321BFSLT
KIT SERRA330	1B x2	2B x1	3 x1	4 x1	5 x2	6 x1	7 x1	8 x1		EN	1	15	K322BFSLT

INCLUDED IN THE KIT:



1 SERRA
SERRA Operators



2A AS06250
For 1 or 2 motors
(BE24)



2B AS06320
For 1 or 2 motors
(F4)



3 Radio receiver board



4 70750
Complete flashing lamp
device DSL70750
12-24-115-230V



5 AU03100
MAKO remote control
433Mhz



6 AU01940
Wall mounted key selector
model DCS100

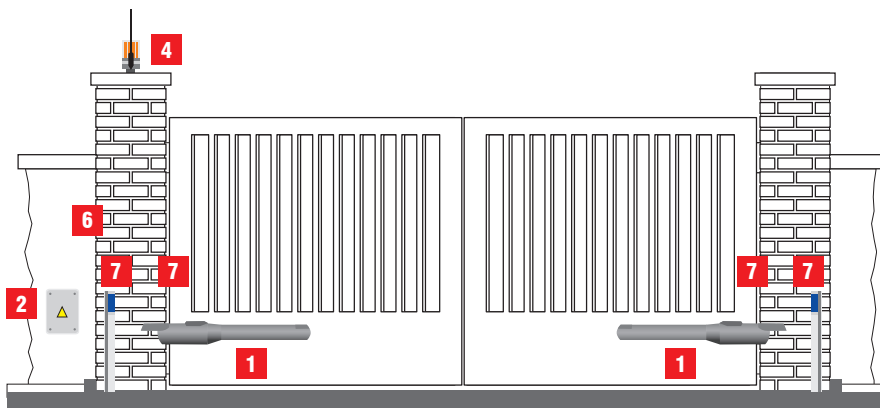


7 AU02250
Pair of DCF180
wall mounted photocells



8 AJ75800
Gate warning plate

INSTALLATION LAY-OUT





Electromechanical operator in 24 Vdc with encoder, for swing gates of small size and weight, for residential use.

EASY TO INSTALL

Thanks to the adjustable brackets, it is not necessary to weld. The control unit offers the complete self-learning function.

SILENT AND FAST

Made with gears in steel, bronze-aluminium and special polymers. This combination allows managing a high and adjustable speed of movement.

TECHNOLOGICAL AND SAFE

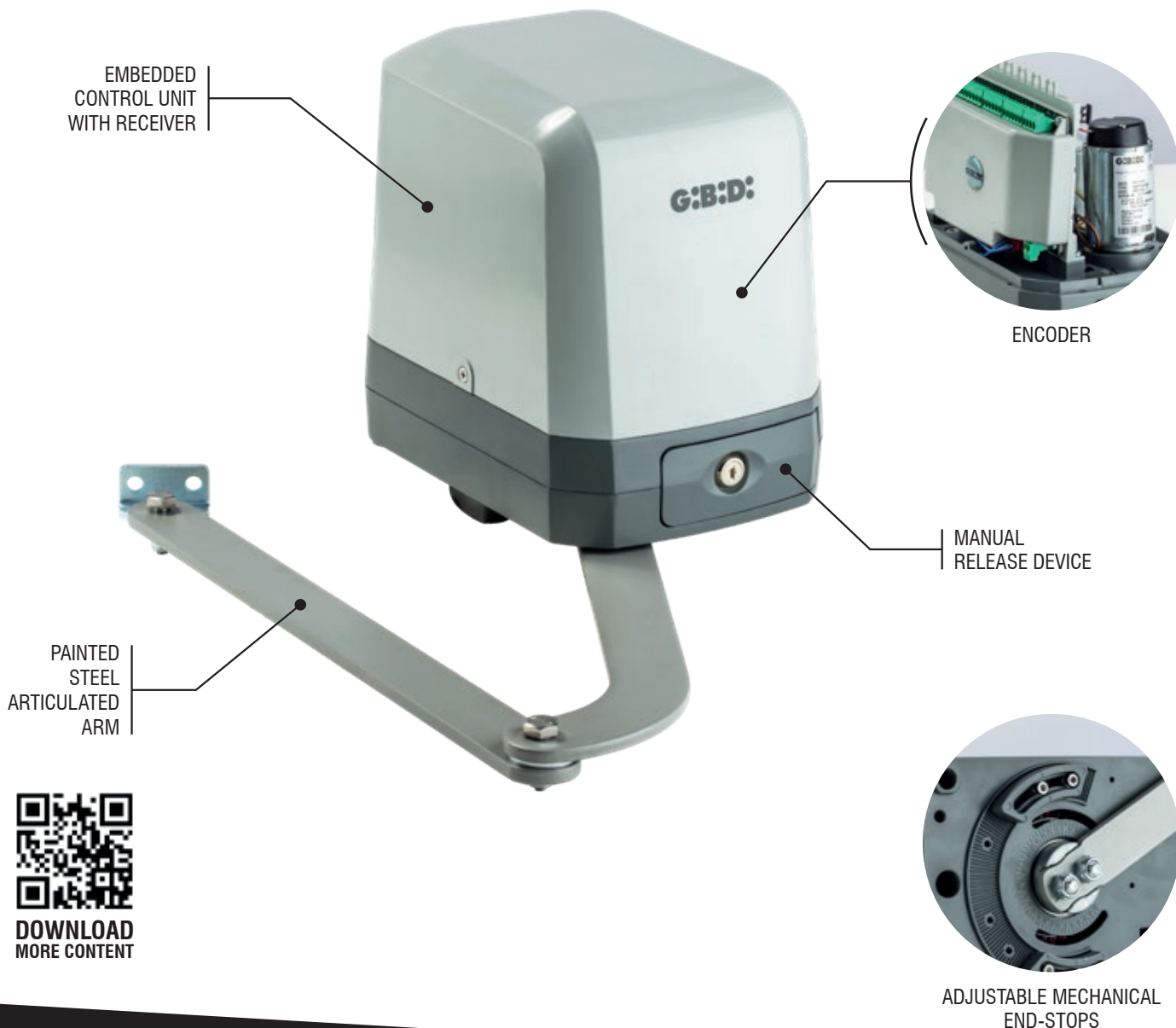
Built-in innovative encoder technology. Thanks to the GIBIDI control unit provided with all the inputs for safety devices, included the encoder sensor for the adjustment of the integrated anti-crushing sensitivity it is possible to meet the highest safety level, as provided in EN 12453 standards.

DESIGN

The most compact of its category with a tapered and simple design, suitable for every kind of gate.

POWER CUT/BATTERY BACK-UP

By the use of an optional battery kit, the gates can operate during the loss of a mains power supply.



DOWNLOAD MORE CONTENT

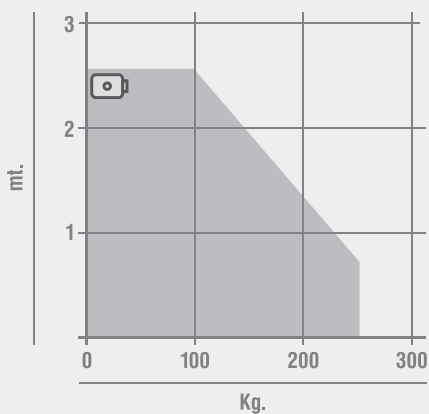
TECHNICAL FEATURES

	SNAPPER
Type of use	RESIDENTIAL
Frequency of use	INTENSIVE
Motor power supply	24Vdc
Absorbed power	100W
Protection degree	IP44
Shaft rotation speed	10°/s
Max torque	200 Nm
Adjustable force	ELECTRONIC
Adjustable speed	ELECTRONIC**
Max leaf width	2,5 m*
Operating temperature	-20°C + 60°C
Encoder/limit switch	ENCODER
Type of lubrication	GREASE GBD WH-01
Weight of the unit	6 Kg

* In case of blind leaf or wind presence or leaf over 2.5 m, the use of the electric lock is necessary

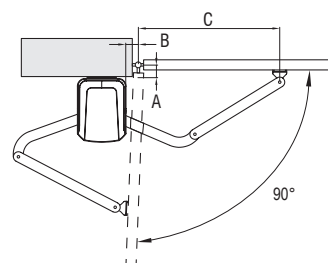
** By the use of the BE24 control board

APPLICATION DIAGRAM



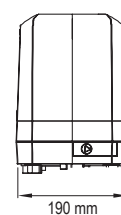
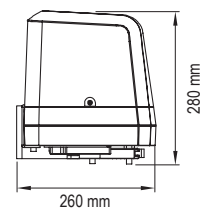
Electric lock Suggested application

INSTALLATION MEASURES



C ↘	B		
	50	100	150
50	625	575	545
100	615	565	540
150	600	550	/
200	585	535	/
250	565	515	/
300	540	/	/

DIMENSIONS





				Code
1A	SNAPPER-1 With embedded BE24* control unit	1	40	SNAPPER1
1B	SNAPPER-0 Operator only	1	40	SNAPPER0

! Articulated arm not included
* With embedded radio receiver board

ACCESSORIES



AJ30910
Articulated arm
380 x 430 mm



AJ01600
Battery back kit
for SNAPPER



AJ00632
24V electric-lock
(see page 140 for the
counter plate model)



AS06250
For 1 or 2 motors (BE24)
See page 119



AJ70164
Counterbushing for
horizontal mounting



AJ70163
Ground plate for
vertical mounting



AJ00862
Left/right leaf lock

SNAPPER

KIT

KIT SNAPPER												Code											
1A	x1	1B	x1	2	x1	3	x2	4	x1	5	x1	6	x2	7	x1	8	x1	9	x1		1	24	K454BFSLT

INCLUDED IN THE KIT:



1 SNAPPER
SNAPPER Operators



2 AS06250
For 1 or 2 motors
(BE24)



3 AJ30910
Articulated arm
380 x 430 mm



4 Radio receiver board



5 70750
Complete flashing lamp
device DSL70750
12-24-115-230V



6 AU03100
MAKO remote control
433Mhz



7 AU01940
Wall mounted key selector
model DCS100

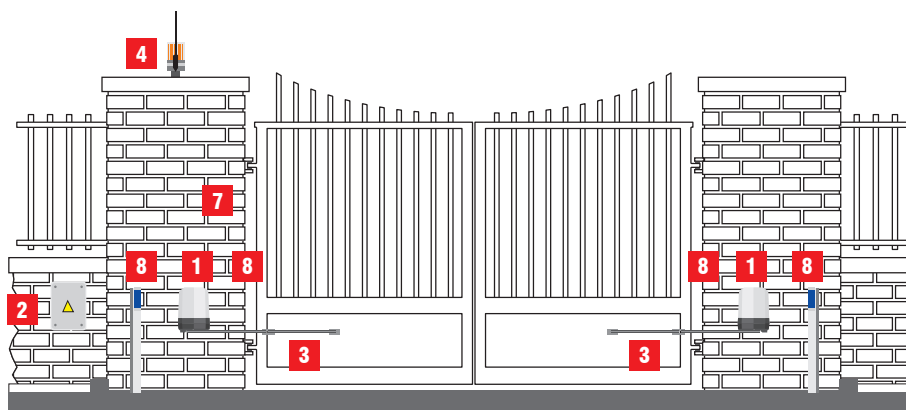


8 AU02250
Pair of DCF180
wall mounted photocells



9 AJ75800
Gate warning plate

INSTALLATION LAY-OUT





Electromechanical operators in 230Vac and 24Vdc with articulated arm, for swinging gates of medium size and weight, for residential and heavy use.

EASY TO INSTALL

Thanks to the special fixing plate, you can fix it fast without welding it, integrated and pre-wired limit switches.

SILENT AND FAST

Extremely silent, because of the materials chosen and tidy finishing of the gears. In 24Vdc version it is possible to adjust the opening speed.

TECHNOLOGICAL AND SAFE

ART gearbox is completely built with steel and bronze-aluminium, robust and reliable over time. You can use the special wall selector with remotely controlled motor unlocking.

A COMPLETE AND RELIABLE RANGE

Thanks to its special accessories, you can install ART even in presence of big pillars and obtain door openings up to 130°.



DOWNLOAD
MORE CONTENT



STEEL AND
BRONZE GEARS

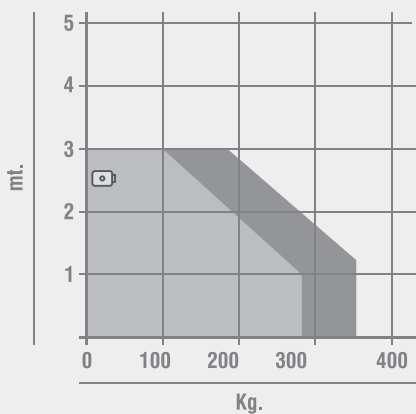
TECHNICAL FEATURES

	ART5000	ART5024
Type of use	RESIDENTIAL	HEAVY DUTY
Frequency of use	30%	40%
Motor power supply	230Vac - 50/60Hz	24Vdc
Absorbed power	200W	100W
Protection degree	IP53	IP53
Shaft rotation speed	7,8°/s	5,6°/s
Max torque	250Nm	250 Nm
Adjustable force	ELECTRONIC	ELECTRONIC
Adjustable speed	ELECTRONIC**	ELECTRONIC**
Max leaf width	3 m*	3 m*
Operating temperature	-20°C + 60°C	-20°C + 60°C
Encoder/limit switch	LIMIT SWITCHES O/C	LIMIT SWITCHES O/C
Type of lubrication	GREASE GBD WH-01	GREASE GBD WH-01
Weight of the unit	11,1 Kg	11,1 Kg

* In case of blind leaf or wind presence or leaf over 2.5 m, the use of the electric lock is necessary

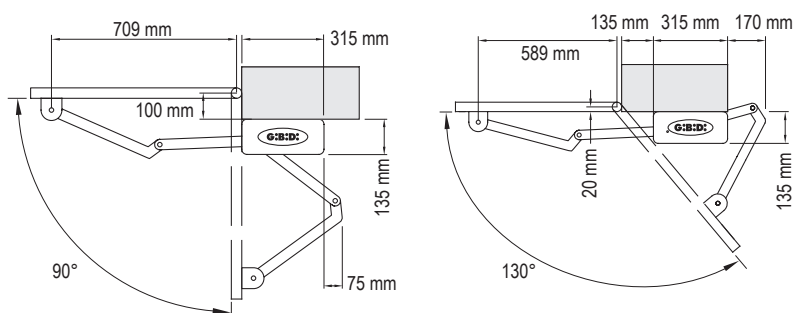
** By the use of the BA230 for ART5000 and BA24 for ART5024 control board

APPLICATION DIAGRAM



■ Suggested application ■ Max application
 ☐ Electric-lock

INSTALLATION MEASURES AND DIMENSIONS





					Code
1A	ART5000	With open and close limit switches	1	30	30510
1B	ART5024	With open and close limit switches	1	30	30524

EN

! Articulated arm not included

ACCESSORIES



AJ00311
remote release device unit with key switch function for ART



AJ30900
Articulated arm
425 x 460 mm



AJ50139
Reinforced and longer steel articulated arm
(600 x 540 mm)



AJ01482
Battery back kit for BA24 control board



AJ00632
12V electric-lock
(see pag. 140 for the counter plate model)



AJ00642
24V electric-lock
(see pag. 140 for the counter plate model)

CONTROL UNITS



For ART5000
AS06320 (F4)
See page 118







For ART5000
AS05581 (BA 230)
See page 118



For ART5000
AS05060 (BA 100)
See page 118



For ART5024
AS06300 (BA 24)
See page 118

			Code
KIT ART5000	1A x2 2A x1 3 x2 4 x1 5 x1 6 x2 7 x1 8 x1 9 x1 	12	K351BFSLT
KIT ART5024	1B x2 2B x1 3 x2 4 x1 5 x1 6 x2 7 x1 8 x1 9 x1  EN	12	K354BFSLT

! On request the kits can be made with the BA230 control unit

INCLUDED IN THE KIT:



1 ART
ART Operators



2A AS06320
For 1 or 2 motors
(F4)



2C AS06300
For 1 or 2 motors
(BA 24)



3 AJ30900
Articulated arm
425 x 460 mm



4 AU02910
2 channels plug-in
receiver board
for control units



5 70750
Complete flashing lamp
device DSL70750
12-24-115-230V



6 AU03100
MAKO remote control
433Mhz



7 AU01940
Wall mounted key selector
model DCS100

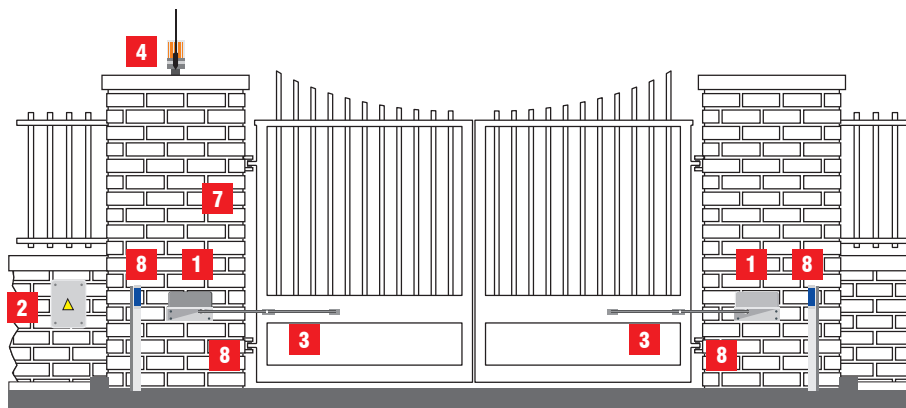


8 AU02250
Pair of DCF180
wall mounted photocells



9 AJ75800
Gate warning plate

INSTALLATION LAY-OUT





230 Vac hydraulic operators, dedicated to heavy, medium and large size swing gates. Suitable for both residential and intensive use

EASY TO INSTALL

TOP EVO is already preloaded and factory adjusted, ready for use, no purge valves, no oil to top up. Mounting brackets supplied.

ROBUST

Rear flange made with die-cast aluminum and tie rods increased by 50% compared to previous models.

QUIET AND FAST

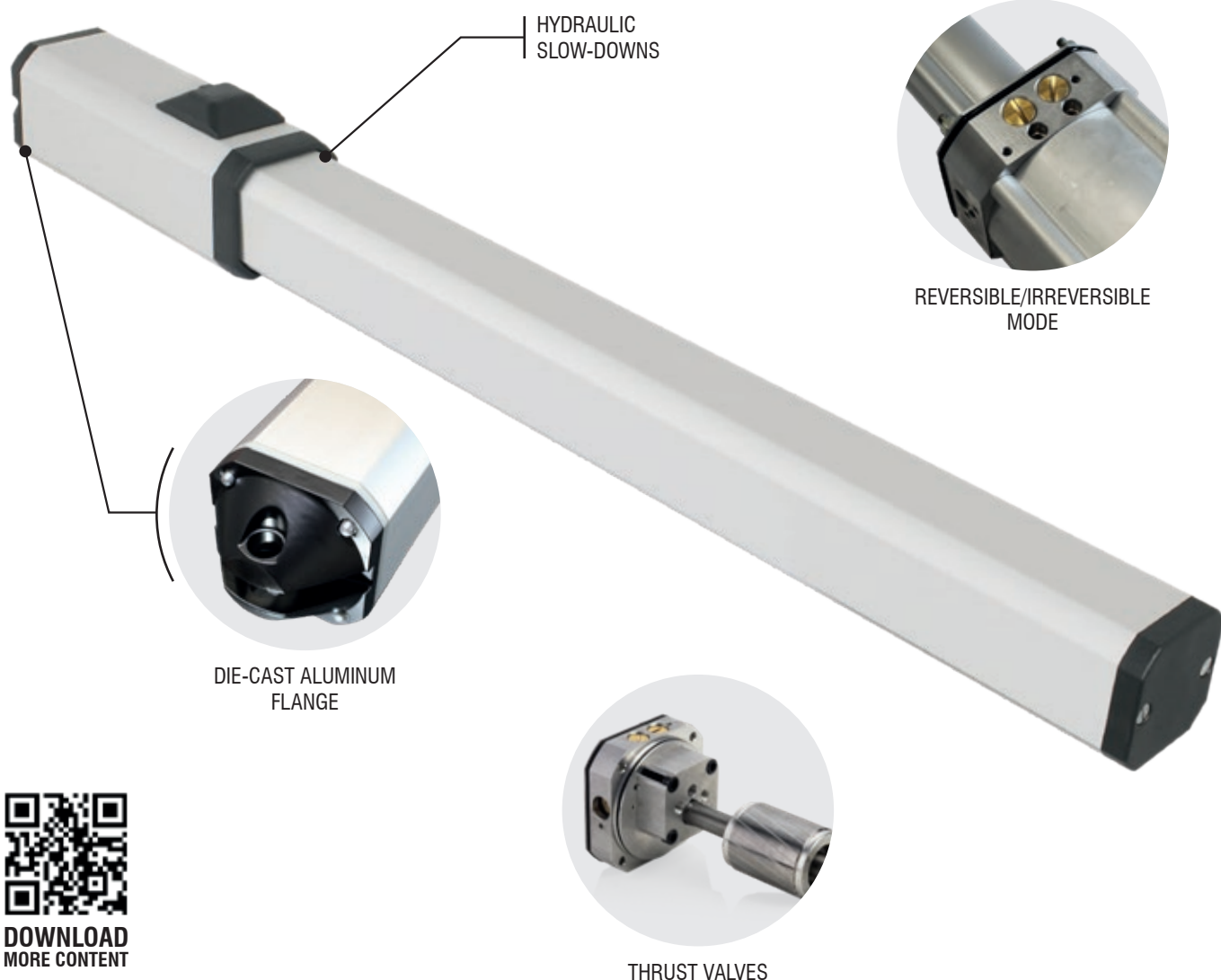
Extremely silent and fast. Hydraulic slowdowns integrated in the last 3cm of rod travel.

TECHNOLOGICAL AND SAFE

TOP EVO is built with a unique technology; the vacuum loading process leaves no air residues inside, therefore no condensation and emulsion. The pump-distributor coupling is without any gasket. A unique system destined to remain unchanged over time. New die-cast aluminium back-end. Complete with torque settings valves and with the new embedded device to select the reversible, irreversible or mixed mode.

A COMPLETE AND RELIABLE RANGE

From a small residential gate with 6-meter doors of a commercial or industrial type. Special motors for intensive use.



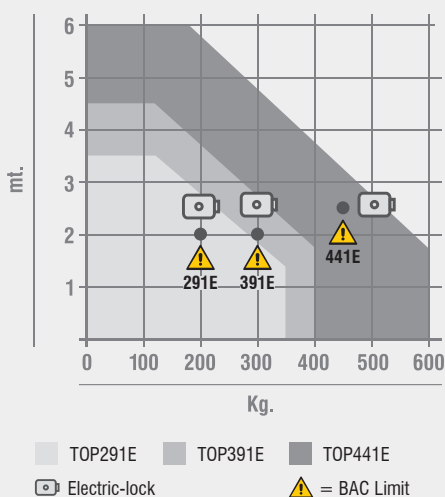
DOWNLOAD MORE CONTENT

TECHNICAL FEATURES

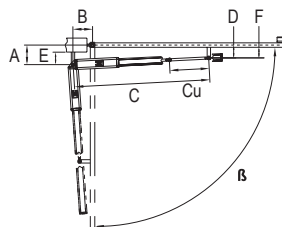
	TOP291E - ER - ER/S	TOP391E - ER - ER/S	TOP441E - ER - ER/S
Type of use	HEAVY DUTY	HEAVY DUTY	HEAVY DUTY
Frequency of use	55%	55%	55%
Motor power supply	230 Vac - 50/60 Hz	230 Vac - 50/60 Hz	230 Vac - 50/60 Hz
Absorbed power	170W	190W	190W
Degree of protection	IP65	IP65	IP65
Rod speed	10 mm/s (20 mm/s for the version ER/S)	10 mm/s (20 mm/s for the version ER/S)	10 mm/s (20 mm/s for the version ER/S)
Max rod stroke	265 mm (290 mm for the version E)	265 mm (290 mm for the version E)	425 mm (440 mm for the version E)
Max thrust force	3000 N (2200 N for the version ER/S)	4500 N (3000 N for the version ER/S)	4500 N (3000 N for the version ER/S)
Force adjustment	HYDRAULIC	HYDRAULIC	HYDRAULIC
Speed adjustment	ELECTRONIC	ELECTRONIC	ELECTRONIC
Hydraulic slowdown	YES (NO for the version E)	YES (NO for the version E)	YES (NO for the version E)
Max leaf length	3,5 m*	4,5 m*	6,0 m*
Operating temperature	-20°C + 60°C	-20°C + 60°C	-20°C + 60°C
Rod diameter	16 mm	20 mm	20 mm
Type od lubrication	OIL GBD PH-03	OIL GBD PH-03	OIL GBD PH-03
Operator weight	7,7 Kg	8,7 Kg	10 Kg

* In case of blind leaf or wind presence or leaf over 2.5 m, the use of the electric lock is necessary

APPLICATION DIAGRAM



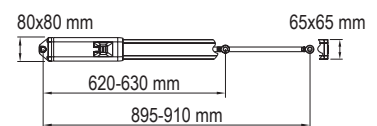
INSTALLATION MEASURES



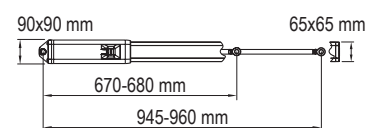
TOP	β	A	B	C	D	Cu	E	F
291E	90°	130	130	900	100	260		
291E	110°	110	120	900	95	265		
291ER-ER/S	90°	125	125	885	95	250		
291ER-ER/S	105°	110	110	885	95	245	>55	>80
391E	90°	130	130	950	100	260		
391E	110°	110	120	950	95	260		
391ER-ER/S	90°	125	125	940	100	250		
391ER-ER/S	105°	110	115	940	95	250		
441E	90°	205	205	1243	125	410		
441E	110°	175	175	1243	120	410		
441ER-ER/S	90°	200	200	1243	120	400	>65	>100
441ER-ER/S	110°	175	175	1243	120	400		

DIMENSIONS

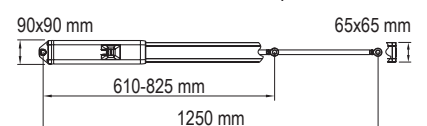
TOP291E - 291ER - 291ER/S



TOP391E - 391ER - 391ER/S



TOP441E - 441ER - 441ER/S





				Code	
1A	TOP291 EVO	Leaf up to 3,5 m	1	32	29200E
1B	TOP291 EVO R	Leaf up to 3,5 m with hydraulic slowdowns	1	32	29200ER
1C	TOP291 EVO RS	Leaf up to 3,5 m with hydraulic slowdowns - fast version	1	32	29200ERS
1D	TOP391 EVO	Leaf up to 4,5 m	1	32	39200E
1E	TOP391 EVO R	Leaf up to 4,5 m with hydraulic slowdowns	1	32	39200ER
1F	TOP391 EVO RS	Leaf up to 4,5 m with hydraulic slowdowns - fast version	1	32	39200ERS
1G	TOP441 EVO	Leaf up to 6,0 m	1	32	44200E
1H	TOP441 EVO R	Leaf up to 6,0 m with hydraulic slowdowns	1	32	44200ER
1I	TOP441 EVO RS	Leaf up to 6,0 m with hydraulic slowdowns - fast version	1	32	44200ER/S

* All operators are supplied in **BAC** mode (irreversible). The installer can modify this parameter.

ACCESSORIES

CONTROL UNITS



AJ00490
optional release device with euro-profile lock with keys



AJ00500
Metal counter plate for rear bracket of TOP391-441
AJ00510
Metal counter plate for rear bracket of TOP291



AJ00520
metal counter plate for front bracket of TOP291-391-441



AJ00632
12V electric-lock (see pag. 140 for the counter plate model)



Suggested control units:
AS06320 (F4)
AS05581 (BA 230)
AS05060 (BA 100)
See page 118














AJ70164
Counterbushing for horizontal mounting



AJ70163
Ground plate for vertical mounting



AJ00862
Left/right leaf lock

												Code
KIT TOP291 EVO	1A x2	2 x1	3 x1	4 x1	5 x2	6 x1	7 x1	8 x1		1	20	K291EBFSLT
KIT TOP291 EVO R	1B x2	2 x1	3 x1	4 x1	5 x2	6 x1	7 x1	8 x1		1	20	K291ERBFSLT
KIT TOP291 EVO RS	1C x2	2 x1	3 x1	4 x1	5 x2	6 x1	7 x1	8 x1		1	20	K291ERSBFSLT
KIT TOP391 EVO	1D x2	2 x1	3 x1	4 x1	5 x2	6 x1	7 x1	8 x1		1	20	K391EBFSLT
KIT TOP391 EVO R	1E x2	2 x1	3 x1	4 x1	5 x2	6 x1	7 x1	8 x1		1	20	K391ERBFSLT
KIT TOP391 EVO RS	1F x2	2 x1	3 x1	4 x1	5 x2	6 x1	7 x1	8 x1		1	20	K391ERSBFSLT
KIT TOP441 EVO	1G x2	2 x1	3 x1	4 x1	5 x2	6 x1	7 x1	8 x1		1	20	K441EBFSLT
KIT TOP441 EVO R	1H x2	2 x1	3 x1	4 x1	5 x2	6 x1	7 x1	8 x1		1	20	K441ERBFSLT
KIT TOP441 EVO RS	1I x2	2 x1	3 x1	4 x1	5 x2	6 x1	7 x1	8 x1		1	20	K441ERSBFSLT

! On request the kits can be made with the BA230 control unit

INCLUDED IN THE KIT:



1 TOP EVO
TOP EVO Operators



2 AS06320
For 1 or 2 motors
(F4)



3 AU02910
2 channels plug-in
receiver board
for control units



4 70750
Complete flashing lamp
device DSL70750
12-24-115-230V



5 AU03100
MAKO remote control
433Mhz



6 AU01940
Wall mounted key selector
model DCS100

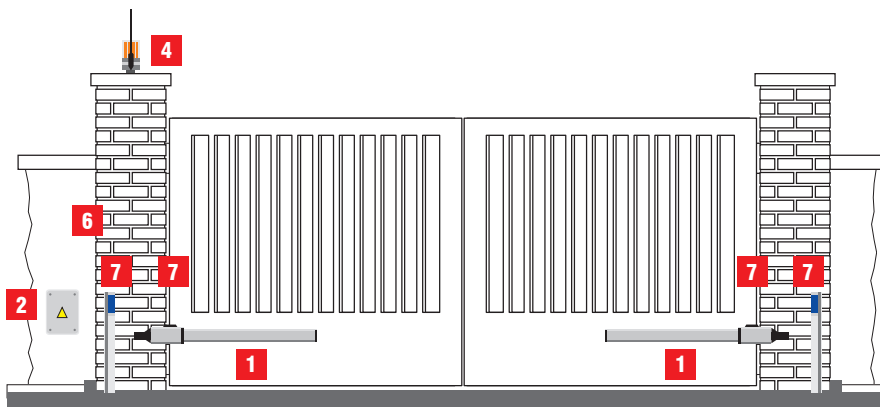


7 AU02250
Pair of DCF180
wall mounted photocells



8 AJ75800
Gate warning plate

INSTALLATION LAY-OUT





Underground hydraulic operators in 230Vac and 24Vdc for swinging gates of medium dimensions and weight, for residential and heavy use.

EASY TO INSTALL

Thanks to the special foundation box. Ambidextrous motor. One-of-a-kind fixing system that allows recovering also the wrong fixing of the doors.

SILENT AND FAST

Only 12 seconds to open the gate! Extremely silent thanks to the use of selected materials and careful finishes of the components used.

TECHNOLOGICAL AND SAFE

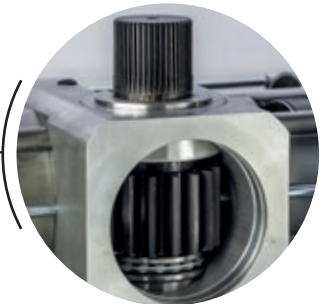
FLOOR has the best hydraulic technology closed-circuit without air. Complete with speed and force regulator, and also with valves to select the reversible, irreversible or fixed modality. In 24Vdc version, it is possible to adjust the anti-crushing sensitivity to make the installation safer, as established by EN12453 standards

A COMPLETE AND RELIABLE RANGE

FLOOR is much more robust in the new version with opening up to 150° and 180°. It satisfies all the esthetical needs of your gate and is reliable because of the use of high quality materials and the in-depth quality test.



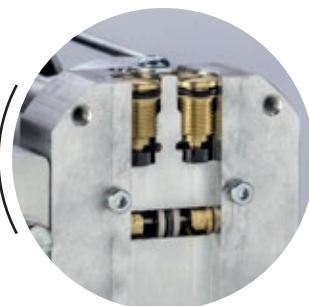
OPTIONAL
LIMIT SWITCH KIT



OUTPUT SHAFT MADE
OF TREATED STEEL WITH
THRUST BEARING



SPEED ADJUSTMENT
VALVES AND
MANUAL RELEASE



THRUST FORCE AND BRAKE
ADJUSTMENT SCREWS



DOWNLOAD
MORE CONTENT

TECHNICAL FEATURES

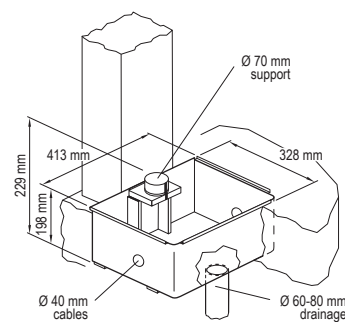
	FLOOR 230V 150°	FLOOR 230V 180°	FLOOR 24V 150°	FLOOR 24V 180°
Type of use	HEAVY DUTY	HEAVY DUTY	HEAVY DUTY	HEAVY DUTY
Frequency of use	40%	40%	80%	80%
Motor power supply	230Vac - 50/60Hz	230Vac - 50/60Hz	24 Vdc	24Vdc
Absorbed power	190W	190W	120W	120W
Protection degree	IP67	IP67	IP67	IP67
Shaft rotation speed	6°/s.	7°/s.	6°/s.	7°/s.
Max torque	320 Nm	300 Nm	320 Nm	300 Nm
Adjustable force	HYDRAULIC	HYDRAULIC	ELECTRONIC	ELECTRONIC
Adjustable speed	YES	YES	YES	YES
Max leaf width	3,0 m*	2,5 m*	3,0 m*	2,5 m*
Max door opening angle	150°	180°	150°	180°
Operating temperature	-20°C +60°C	-20°C +60°C	-20°C +60°C	-20°C +60°C
Encoder/limit switch	OPTIONAL LIMIT SWITCHES	OPTIONAL LIMIT SWITCHES	OPTIONAL LIMIT SWITCHES	OPTIONAL LIMIT SWITCHES
Type of lubrication	OIL GBD PH-03	OIL GBD PH-03	OIL GBD PH-03	OIL GBD PH-03
Weight of the unit	17 kg	16 Kg	17 kg	16 Kg

* In case of blind leaf or wind presence or leaf over 2,0 m, the use of the electric lock is necessary

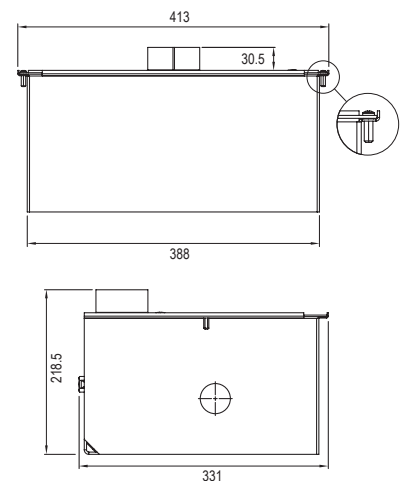
APPLICATION DIAGRAM



INSTALLATION MEASURES



DIMENSIONS





				Code
1A	FLOOR 850 230 Vac* - max opening 150°	1	30	81500
1B	FLOOR 854 24 Vdc* - max opening 150°	1	30	81524
1C	FLOOR 880 230 Vac* - max opening 180°	1	30	81800
1D	FLOOR 884 24 Vdc* - max opening 180°	1	30	81824

* All operators are supplied in **BAC** mode (irreversible). The installer can modify this parameter.

ACCESSORIES



AJ49000
Complete self-supporting and painted foundation box with lid



A90929P
Optional AISI304 stainless steel lid



AJ01400
Optional limit switch kit

CONTROL UNITS



For FLOOR 850-880
AS06320 (F4)
See page 118



For FLOOR 850-880
AS05581 (BA 230)
See page 118



AU02730
Adapter to use AJ01400 limit switches kit with F4 and BA100 boards



AJ01482
Battery back kit for BA24 control board



AJ00632
12V electric-lock (see page 140 for the counter plate model)



AJ00642
24V electric-lock (see page 140 for the counter plate model)



For FLOOR 850-880
AS05060 (BA 100)
See page 118



For FLOOR 854-884
AS06300 (BA 24)
See page 118

												Code
KIT FLOOR850	1A x2	2 x2		4A x1	5 x1	6 x1	7 x2	8 x1	9 x1	10 x1		K870BFSLT
KIT FLOOR854	1B x2	2 x2	3 x2	4B x1	5 x1	6 x1	7 x2	8 x1	9 x1	10 x1		K875BFSLT
KIT FLOOR880	1C x2	2 x2		4A x1	5 x1	6 x1	7 x2	8 x1	9 x1	10 x1		K880BFSLT
KIT FLOOR884	1D x2	2 x2	3 x2	4B x1	5 x1	6 x1	7 x2	8 x1	9 x1	10 x1		K884BFSLT

! The kit is supplied in multiple packages

INCLUDED IN THE KIT:



1 FLOOR
FLOOR Operators



2 AJ49000
Self-supporting painted foundation box.
Lid included



3 AJ01400
Limit switches kit



4A AS06320
For 1 or 2 motors (F4)



4B AS06300
For 1 or 2 motors (BA 24)



5 AU02910
2 channels plug-in receiver board for control units



6 70750
Complete flashing lamp device DSL70750
12-24-115-230V



7 AU03100
MAKO remote control 433Mhz



8 AU01940
Wall mounted key selector model DCS100

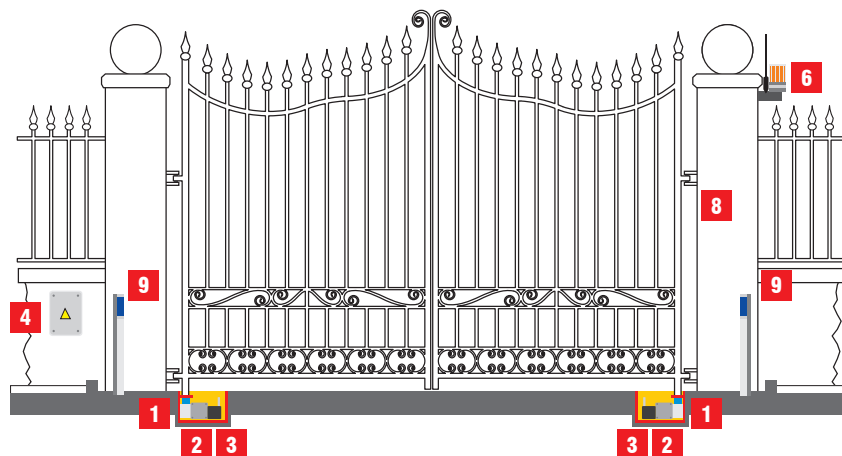


9 AU02250
Pair of DCF180 wall mounted photocells



10 AJ75800
Gate warning plate

INSTALLATION LAY-OUT





Underground electromechanical operators in 230Vac and 24Vdc with encoder, for swinging gates of medium dimensions and weight, for residential and intensive use.

EASY TO INSTALL

Thanks to the special self-supporting foundation box. Ambidextrous motor and pre-assembled accessories.

SILENT AND FAST

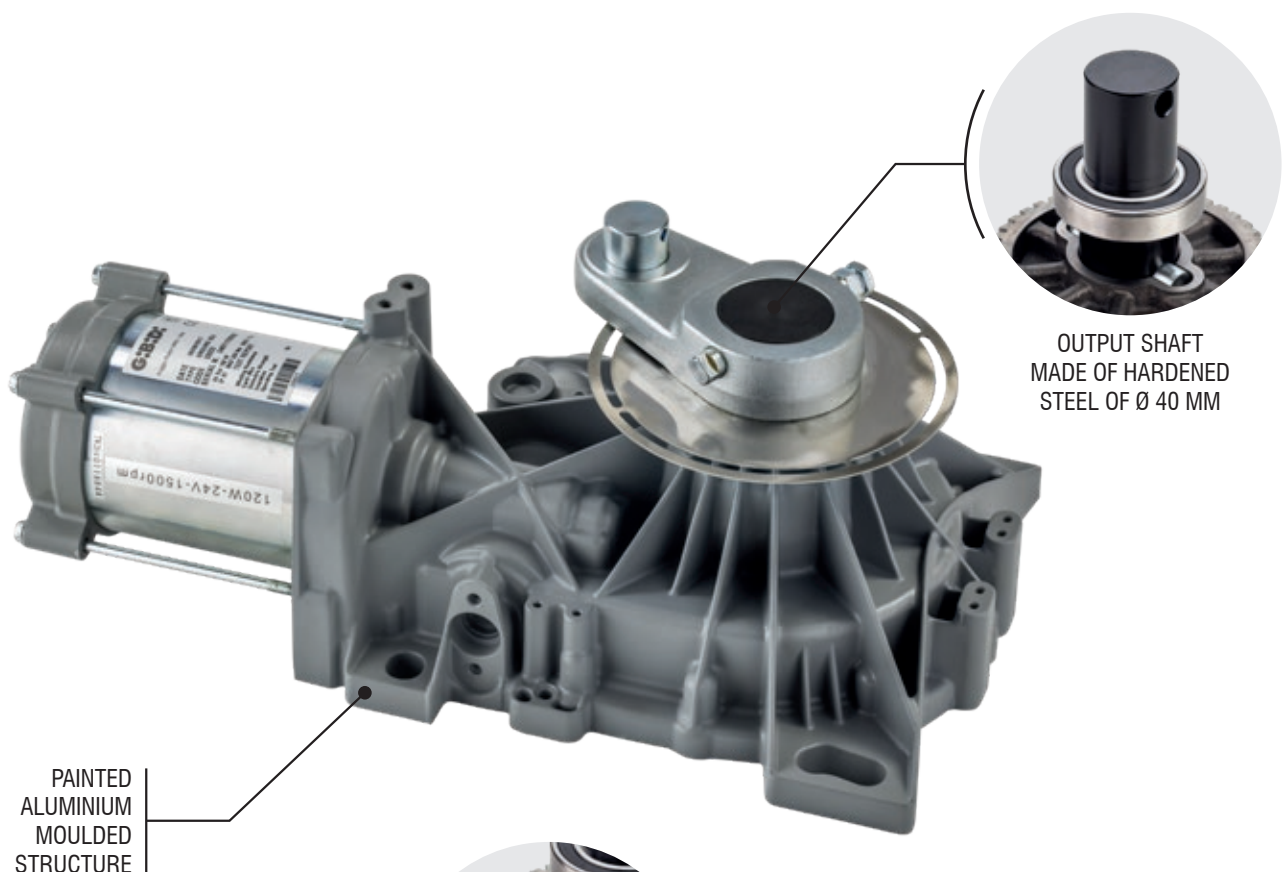
Only 12 s to open the gate! Extremely silent, because of the materials chosen and tidy finishing of the gears. In 24Vdc version it is possible to adjust the opening speed.

TECHNOLOGICAL AND SAFE

GROUND is completely built in steel and bronze-aluminium, is robust and reliable over the time. In 24Vdc version, it is possible to adjust the anti-crushing sensitivity to make the installation safer, as established by EN12453 standards. The unlocking key is with European profile.

A COMPLETE AND RELIABLE RANGE

GROUND satisfies all the esthetical needs of your gate and is reliable over the time, thanks to the reduction gear completely painted, that protects it from the atmospheric and environmental agents.



OUTPUT SHAFT
MADE OF HARDENED
STEEL OF Ø 40 MM

PAINTED
ALUMINIUM
MOULDED
STRUCTURE



STEEL AND
BRONZE GEARS



MANUAL RELEASE DEVICE
WITH EURO-PROFILE
LOCK WITH KEY



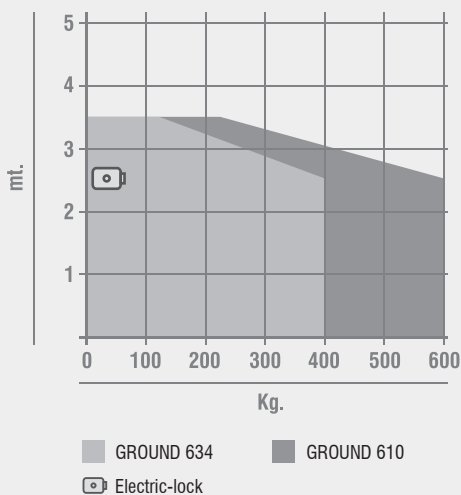
DOWNLOAD
MORE CONTENT

TECHNICAL FEATURES

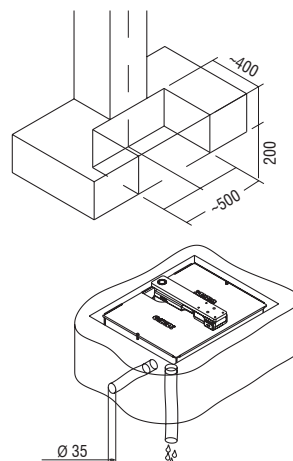
	GROUND610	GROUND634
Type of use	RESIDENTIAL	HEAVY DUTY
Frequency of use	30%	HEAVY DUTY
Motor power supply	230Vac - 50/60Hz	24Vdc
Absorbed power	400W	150W
Protection degree	IP67	IP67
Shaft rotation speed	7°/s	7°/s
Max torque	530Nm	320 Nm
Adjustable force	ELECTRONIC	ELECTRONIC
Adjustable speed	ELECTRONIC	ELECTRONIC
Max leaf width	3,5 m*	3,5 m*
Max door opening angle	110°	110°
Operating temperature	-20°C + 60°C	-20°C + 60°C
Encoder/limit switch	LS are optional	ENCODER
Type of lubrication	GREASE GBD WH-01	GREASE GBD WH-01
Weight of the unit	11,1 Kg	11,1 Kg

* In case of blind leaf or wind presence or leaf over 2.5 m, the use of the electric lock is necessary

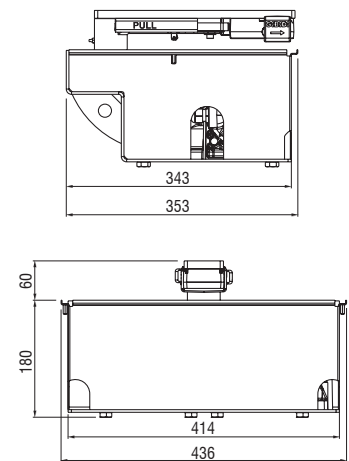
APPLICATION DIAGRAM





INSTALLATION MEASURES



DIMENSIONS





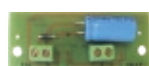
					Code
1A	GROUND 610	230V with adjustable mechanical end stops	1	24	20030
1B	GROUND 634	24V with encoder and adjustable mechanical end stops	1	24	20034E

ACCESSORIES

CONTROL UNITS



AJ49300
Complete self-supporting and painted foundation box with lid and levers



AU02730
Adapter to use AJ01400 limit switches kit with F4 and BA100 boards



AJ00940
Optional limit switch kit



For GROUND 610
AS06320 (F4)
See page 118



For GROUND 610
AS05581 (BA 230)
See page 118



AJ01483
Battery back-up kit for BE24G control unit



AJ00632
Elettroserratura 12 Vdc
Vedere pag. 140



For GROUND 610
AS05060 (BA 100)
See page 118



For GROUND 634
AS06270 (BE24G)
See page 119

												Code									
KIT GROUND 610	1A	x2	2	x2	3A	x1	4	x1	5	x1	6	x2	7	x1	8	x1	9	x1		K608BFSLT	
KIT GROUND 634	1B	x2	2	x2	3B	x1	4	x1	5	x1	6	x2	7	x1	8	x1	9	x1		EN	K640BFSLT

The kit is supplied in multiple packages

INCLUDED IN THE KIT:



1 GROUND
GROUND Operators



2 AJ49300
Self-supporting painted foundation box



3A AS06320
For 1 or 2 motors (F4)



3B AS06270
For 1 or 2 motors (BE24G)



4 Radio receiver board



5 70750
Complete flashing lamp device DSL70750
12-24-115-230V



6 AU03100
MAKO remote control
433Mhz



7 AU01940
Wall mounted key selector
model DCS100

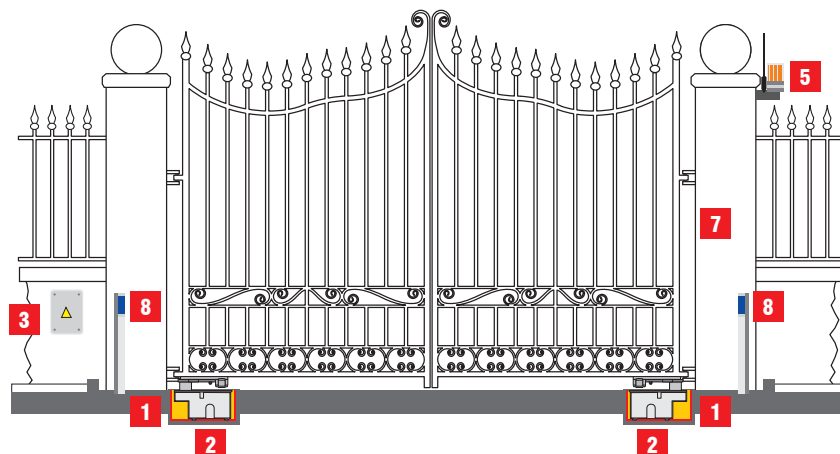


8 AU02250
Pair of DCF180
wall mounted photocells



9 AJ75800
Gate warning plate

INSTALLATION LAY-OUT





SECTIONAL DOORS

ELECTROMECHANICS

OVERHEAD DOORS

ELECTROMECHANICS

RESIDENTIAL USE — LINEAR — MAX DOOR 15 MQ — TAIMEN — PAGE 58

RESIDENTIAL USE — ARTICULATED — MAX DOOR 7 MQ — AUTOBOX — PAGE 62

RESIDENTIAL USE — LINEAR — MAX DOOR 15 MQ — TAIMEN — PAGE 58

HEAVY DUTY — ARTICULATED — MAX DOOR 7 MQ — AUTOBOX — PAGE 62



GARAGE DOOR SYSTEMS.

58

TAIMEN

24V

*PRODUCT ALSO AVAILABLE AT 115 VAC

Automated drive unit in 24Vdc for overhead and sectional doors, of little and medium dimensions, for residential use.

EASY TO INSTALL

Thanks to the pre-assembled motor guide and the fixing system completely adjustable. Moreover the self-learning procedure makes easier the system programming.

SILENT AND FAST

Really silent thank to the translating motor and the use of high quality materials.

TECHNOLOGICAL AND SAFE

TAIMEN, with the new digital control unit, is really forefront. Moreover is provided with the adaptive anti-crushing system and it is possible to connect some safety devices, as established by EN12453 standards. The unlocking device is easy to use and allows closing the door, even in the absence of current, and locking it again.

A COMPLETE AND RELIABLE RANGE

TAIMEN can be provided with the optional battery kit for the emergency opening in case of power cut. Brackets and screws completely painted to keep unchanged the aesthetics of the system for a long time.

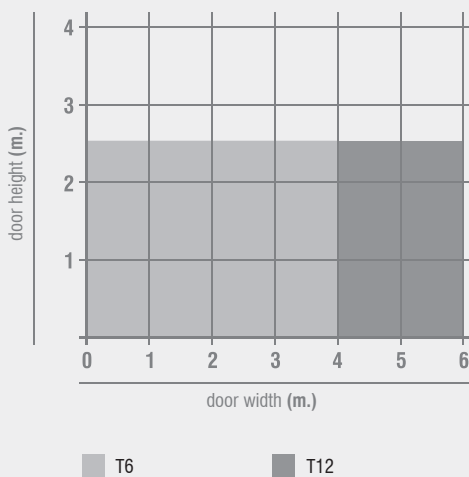


DOWNLOAD MORE CONTENT

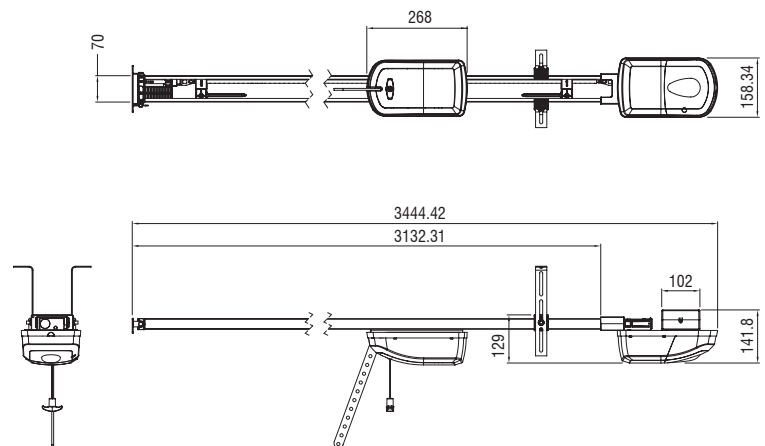
TECHNICAL FEATURES

	TAIMEN T6	TAIMEN T12
Type of use	RESIDENTIAL	RESIDENTIAL
Frequency of use	30%	30%
Motor power supply	24 Vdc	24 Vdc
Absorbed power	80W	140W
Protection degree	IP20	IP20
Max thrust force	600 N	1.200 N
Adjustable thrust	ELECTRONIC	ELECTRONIC
Max door surface	10 sqm	15 sqm
Max door height (standard rail)	2,5 m	2,5 m
Operating temperature	-20°C +60°C	-20°C +60°C
On board courtesy light	YES with LED	YES with LED
Door speed	Adjustable max 125mm/sec	Adjustable max 125mm/sec
Soft start/stop and anti-crushing	YES	YES

APPLICATION DIAGRAM



DIMENSIONS





GARAGE DOOR SYSTEMS.

60

TAIMEN

24V *PRODUCT ALSO AVAILABLE AT 115 VAC

				Code
TAIMEN T6	Kit including: N° 1 T6 electromechanical automation for overhead and sectional doors including electronic equipment with built-in receiver, 2 Rolling Code remote controls and accessories for fixing to the door. Arm for counterweight overhead doors (AJ00303) not included	1	30	K026B
TAIMEN T12	Kit including: N° 1 T12 electromechanical automation for overhead and sectional doors including electronic equipment with built-in receiver, 2 Rolling Code remote controls and accessories for fixing to the door. Arm for counterweight overhead doors (AJ00303) not included	1	30	K036B

ACCESSORIES



AJ01450
1 m extension rails for TAIMEN



AJ00303
Adapter arm for overheads with counterweights doors



AJ01455
Additional rail support brackets



AS06070 (TAIMEN)
Spare control unit for Taimen



AJ01460
External release device (door mounting)



AJ01470
6 m extension cable with rail joint



AJ01510
Battery back-up kit for TAIMEN

INSTALLATION LAY-OUT



1 TAIMEN
TAIMEN Operator



2 AJ00303
Counterweight doors arm



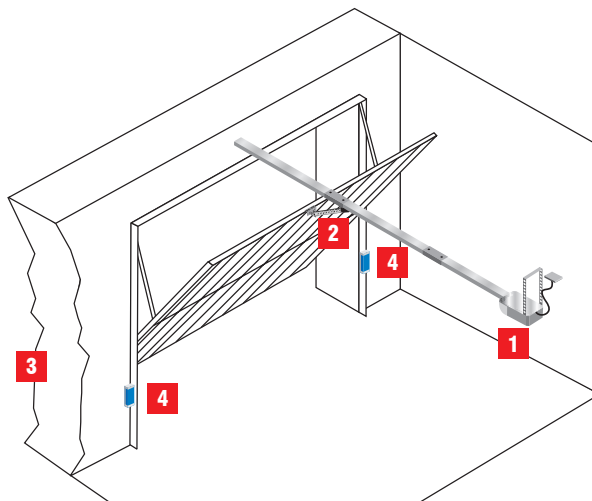
3 AU01940
Wall mounted key selector model DCS100



4 AU02250
Pair of DCF180 wall mounted photocells



5 AU03100
MAKO remote control 433Mhz





GARAGE DOOR SYSTEMS.

62

AUTOBOX

230-24V

*PRODUCT ALSO AVAILABLE
AT 115 VAC

Electromechanical operator in 230Vac and 24Vdc for counterweight overhead doors of little and medium dimensions, for residential and condominium use.

EASY TO INSTALL

Thanks to the assembling kit on the door, complete with all the accessories. The motor and limit switches integrated are pre-assembled.

SILENT AND FAST

AUTOBOX is built with gears completely in treated steel and bronze-aluminium, assembled and tested in all its functions. In 24Vdc version, speed is adjustable with soft stop function.

TECHNOLOGICAL AND SAFE

Only high-quality materials, special treatments for the gears and motors tested to last for a long time. Courtesy light and anti-crushing system integrated (24Vdc version). Moreover it is possible to connect the safety devices, as established by EN12453 standards.

A COMPLETE AND RELIABLE RANGE

The different typologies of installation kit allow finding a solution for every kind of door.

COURTESY
LIGHT



RELEASE
DEVICE

OPEN/CLOSE LIMIT
SWITCHES WITH
DOUBLE READING



STEEL AND
BRONZE GEARS



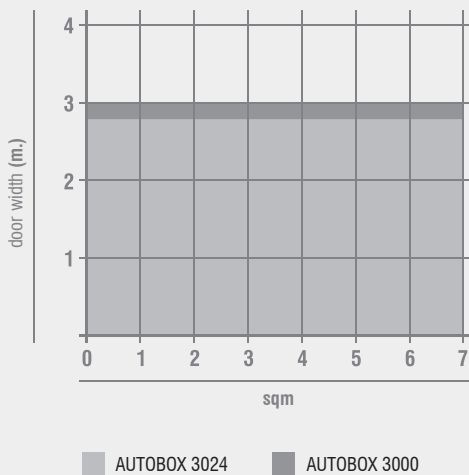
DOWNLOAD
MORE CONTENT

TECHNICAL FEATURES

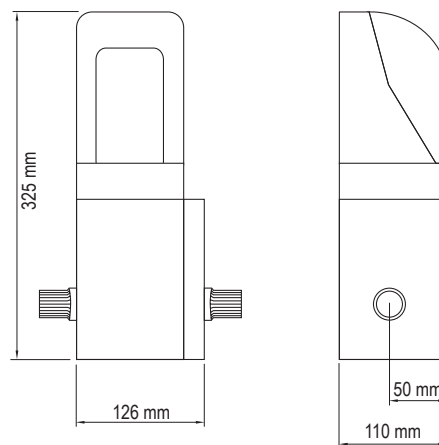
	AUTOBOX 3000	AUTOBOX 3024
Type of use	RESIDENTIAL	HEAVY DUTY
Frequency of use	30%	40%
Motor power supply	230Vac - 50/60Hz	24 Vdc
Absorbed power	200W	100W
Protection degree	IP40	IP40
Max torque	250 Nm	250 Nm
Shaft rotation speed	7,8°/s	5,6°/s
Max door surface	7 sqm	7 sqm
Operating temperature	-20°C +60°C	-20°C +60°C
On board courtesy light	YES	YES
Encoder/limit switch	Limit switches O/C	Limit switches O/C
Weight of the unit	8,6 KG	8,6 KG

APPLICATION DIAGRAM

Single motor application



DIMENSIONS





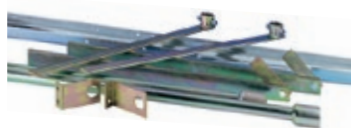
GARAGE DOOR SYSTEMS.

64 AUTOBOX

230-24V *PRODUCT ALSO AVAILABLE AT 115 VAC

					Code
AUTOBOX 3000	2 limit switches in opening and closing		1	30	50300
AUTOBOX 3024	2 limit switches in opening and closing	EN	1	30	503004

ACCESSORIES



AJ00370 / AJ00380
Kit for the installation of 1/2 motors with straight arms. 2 m longitudinal member



AJ00391 / AJ00401
Kit for the installation of 1/2 motors with curved arms. 2 m longitudinal member



AJ00861
External release device (door mounting)



AJ01482
Battery back kit for BSC24 board

CONTROL UNITS



For AUTOBOX 3000
AS05060 (BA 100)
See page 118



For AUTOBOX 3024
AS06300 (BA 24)
Vedere pag. 118

INSTALLATION LAY-OUT



1 AUTOBOX
AUTOBOX Operator



2A AS05060
For AUTOBOX 3000
(BA 100)



2B AS06300
For AUTOBOX 3024
(BA 24)



3 AJ00370
Installation kit



4 70750
Complete flashing lamp
device DSL70750
12-24-115-230V



5 AU02910
2 channels plug-in
receiver board
for control units



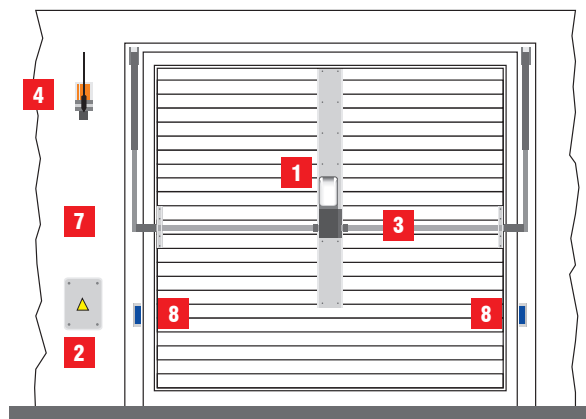
6 AU03100
MAKO remote control
433Mhz



7 AU01940
Wall mounted key selector
model DCS100



8 AU02250
Pair of DCF180
wall mounted photocells





ROLLING SHUTTER SYSTEMS.

66

ELECTROMECHANICS

RESIDENTIAL USE

**MAX LIFTING
POWER 170 KG**

MPS160

**PAGE
68**

**MAX LIFTING
POWER 180 KG**

MPS240

**PAGE
68**

**MAX LIFTING
POWER 280 KG**

MPS160BM

**PAGE
68**

**MAX LIFTING
POWER 360 KG**

MPS240BM

**PAGE
68**



ROLLING SHUTTER SYSTEMS.

68

MPS

230V *PRODUCT ALSO AVAILABLE AT 115 VAC

Central gearmotors for rolling shutters, for residential and commercial use.

EASY TO INSTALL

Thanks to the adaptors and cable included.

SILENT AND FAST

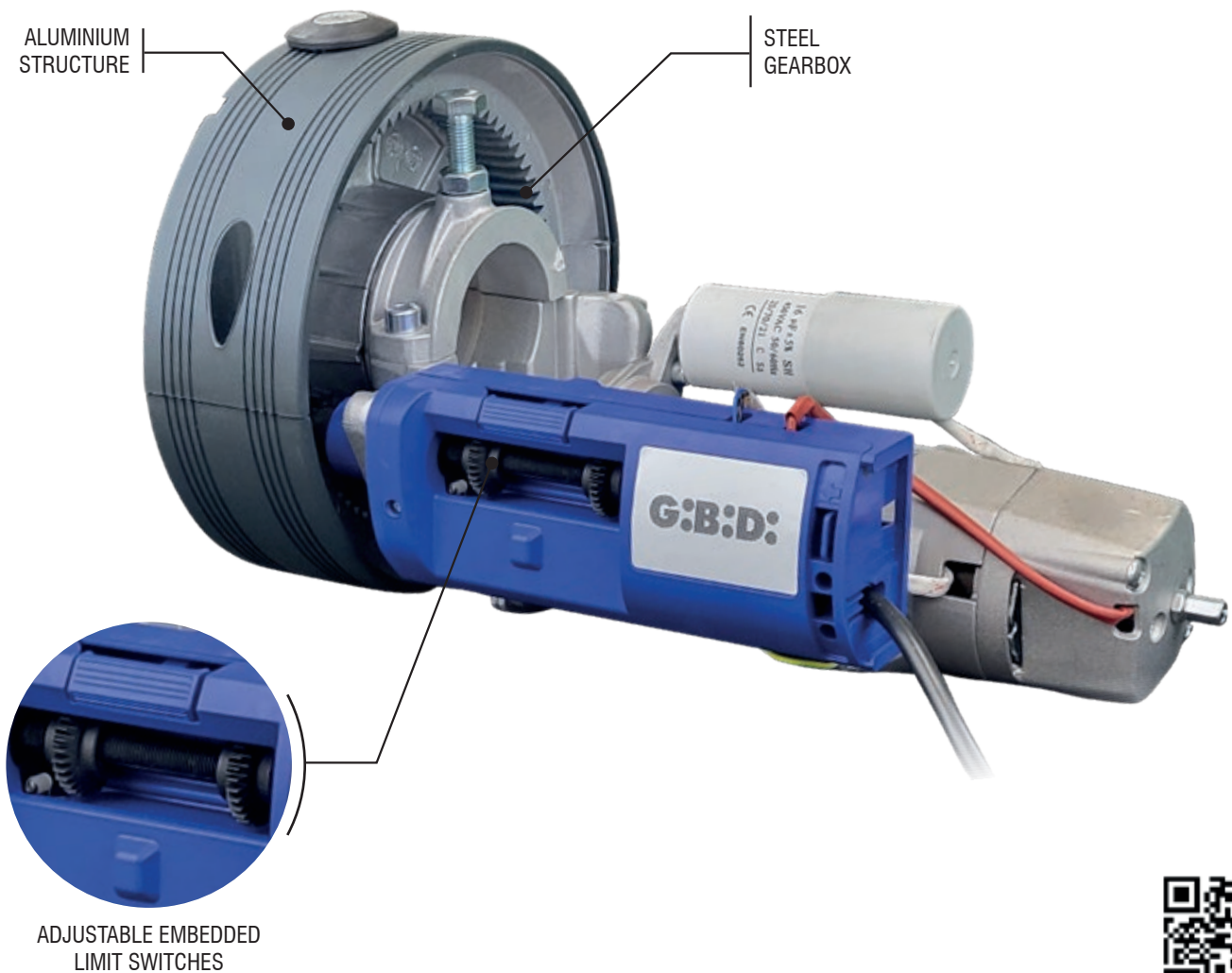
Exclusively made with high quality materials.

TECHNOLOGICAL AND SAFE

Limit switch adjusting system constrained to the reduction gear for an accurate and lasting adjustment. Protected electrical connections.

A COMPLETE AND RELIABLE RANGE

With or without electro-brake, single or bi-motor, a complete range for every kind of need.



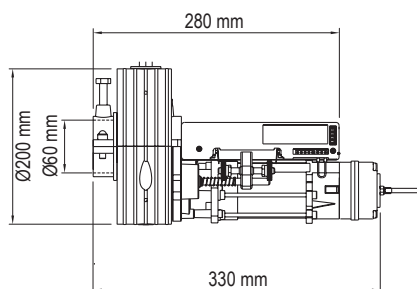
DOWNLOAD MORE CONTENT

TECHNICAL FEATURES

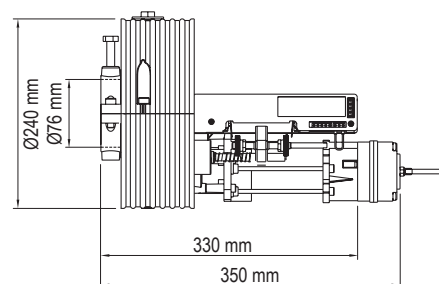
	MPS 160 - 160E	MPS 160 BM - 160E BM	MPS 240 - 240E	MPS 240BM - 240E BM
Motor power supply	230 Vac - 50/60 Hz	230 Vac - 50/60 Hz	230 Vac - 50/60 Hz	230 Vac - 50/60 Hz
Absorbed power	630 W	1260 W	630 W	1260 W
Absorbed current	2,7 A	5,4 A	2,7 A	5,4 A
Max torque	170 Nm	280 Nm	210 Nm (200 Nm for the version E)	420 Nm (400 Nm for the version E)
Rpm	10	10	8	8
Limit switch range	6	5/6	5/6	5/6
Electro-brake	NO (YES for the version E)	NO (YES for the version E)	NO (YES for the version E)	YES
Pole diameter	200/220 mm	200/220 mm	240 mm	240 mm
Crown	60 mm	60 mm	76 mm	76 mm
Lifting power	170 Kg	280 Kg	180 Kg	360 Kg
Thermal cut out	4 min	4 min	4 min	4 min
Operator weight	7 Kg (8 Kg for the version E)	13 Kg (14 Kg for the version E)	9 Kg (10 Kg for the version E)	16 Kg (17 Kg for the version E)

DIMENSIONS

MPS 160



MPS 240





ROLLING SHUTTER SYSTEMS.

70

MPS

230V

*PRODUCT ALSO AVAILABLE AT 115 VAC

				Code
MPS160	*230 Vac gearmotor for 170 kg shutters, with limit switch, crown Ø 200/220 mm, tube Ø 60 mm	1	40	MPS160NE1
1 MPS160E	*230 Vac gearmotor for 170 kg shutters, with limit switch and electric brake, crown Ø 200/220 mm, tube Ø 60 mm	1	40	MPS160ENE1
MPS160BM	*230 Vac gearmotor for 280 kg shutters, with limit switch, crown Ø 200/220 mm, tube Ø 60 mm (dual engine)t	1	40	MPS160BM
MPS160BME	*230 Vac gearmotor for 280 kg shutters, with limit switch and electric brake, crown Ø 200/220 mm, tube Ø 60 mm (dual engine)	1	40	MPS160BME
MPS24076	230 Vac gearmotor for 180 kg shutters, with limit switch, crown Ø 240 mm, tube Ø 76 mm	1	22	MPS24076
MPS24076E	230 Vac gearmotor for 180 kg shutters, with limit switch and electric brake, crown Ø 240 mm, tube Ø 76 mm	1	22	MPS24076E
MPS240BM76	230 Vac gearmotor for 180 kg shutters, with limit switch, crown Ø 240 mm, tube Ø 76 mm (dual engine)	1	22	MPS240BM76
MPS240BM76E	230 Vac gearmotor for 180 kg shutters, with limit switch and electric brake, crown Ø 240 mm, tube Ø 76 mm (dual engine)	1	22	MPS240BM76E

* Box includes: no. 1 crown adapter Ø 220 mm, no. 1 pole adapter Ø 48 mm and 4 m electrical cable

ACCESSORIES



KEF05
Electric brake kit with release for manual operation for MPS160 - MPS240



SBC05
Wall-mounted aluminum key selector with electrobrake release



SBC04/2013
Armored wall container with electrobrake release and personalized key selector



SBC01/2013
Armored burglar resistant key switch for inwall mounting with push button and electrobrake release device.

CONTROL UNITS



AS07200 (SR302 - 433 MHz)
Control unit with on-board radio receiver
See page 120



AS07300 (SR302 - 868 MHz)
Control unit with on-board radio receiver
See page 120

				Code
KIT MPS160E - 433	1 x1	2A x1	3A x2	KMPS302B
KIT MPS160E - 868	1 x1	2B x1	3B x2	KMPS303B

INCLUDED IN THE KIT:



1 MPS
MPS160E Operator



2A AS07200
Control unit with
on-board radio receiver
(SR302 - 433 MHz)



2B AS07300
Control unit with
on-board radio receiver
(SR302 - 868 MHz)

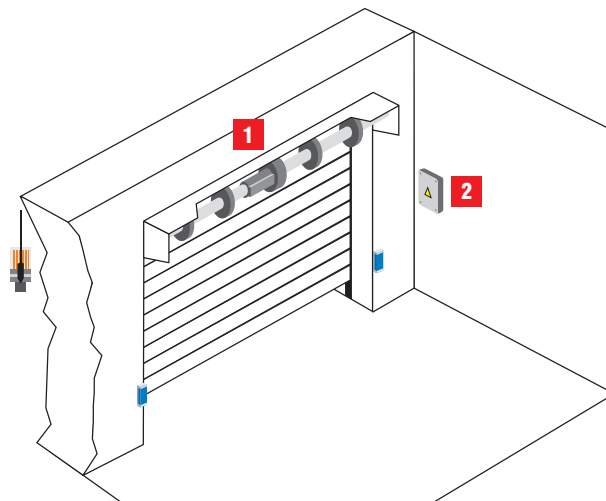


3A AU03100
MAKO remote control
433Mhz



3B AU03200
MAKO remote control
868Mhz

INSTALLATION LAY-OUT





SYSTEMS FOR SUN AWNINGS
AND SHUTTERS.

72



RESIDENTIAL USE

MECHANICS AND RADIO-MECHANICS

M-RM

**PAGE
74**

RADIO-ELECTRONICS AND WIRELESS

RE-REB

**PAGE
80**



SYSTEMS FOR SUN AWNINGS AND SHUTTERS.

74

RUNNER M - RM

230V *PRODUCT ALSO AVAILABLE
AT 115 VAC

The range of M and RM series motors is suitable for residential and commercial use.

Available in diameters 35-45-55 and with powers ranging from 6Nm to 120Nm.

RUNNER RM can satisfy every specific need to get curtains and shutters automated. The integrated radio receiver allows the operator programming and management by means of a remote control.

BASIC TECHNICAL DATA

- Easy installation and programming
- Mechanical limit switch with progressive adjustment
- Limit switch adjustment directly from the remote control (RM series)
- Internal receiver 433.92 MHz (RM series)
- 2 m long connection cable
- For axles Ø 40, 43, 50, 56, 60, 70 and 78mm
- Equipped with button output (RM series)
- Compatible with a wide range of GIBIDI automation (M series)
- Compatible with the entire range of FREE DOMUS radio remote controls and home automation (RM series)
- Version with emergency maneuver available

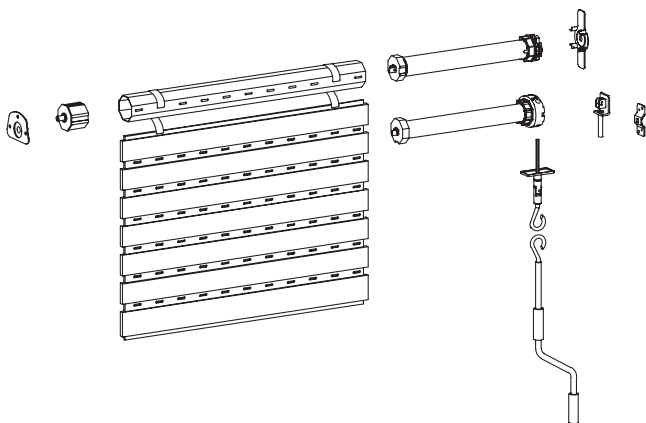


DOWNLOAD
MORE CONTENT

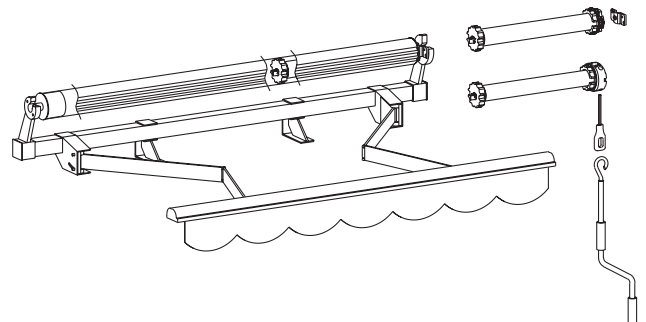
TECHNICAL FEATURES

RUNNER	Nominal torque	Nominal speed	Pipe diameter	Power supply	Absorbed power	Max n° of revolutions	IP protection degree	Radio receiver freq.
M35 6/28	6 Nm	28 Rpm	35 mm	230vac 50Hz	121 W	30	IP44	/
M35 10/17	10 Nm	17 Rpm	35 mm	230vac 50Hz	121 W	30	IP44	/
M45 20/17S	20 Nm	17 Rpm	45 mm	230vac 50Hz	145 W	23	IP44	/
M45 20/17	20 Nm	17 Rpm	45 mm	230vac 50Hz	145 W	23	IP44	/
M45 30/17	30 Nm	17 Rpm	45 mm	230vac 50Hz	191 W	23	IP44	/
M45 40/17	40 Nm	17 Rpm	45 mm	230vac 50Hz	191 W	23	IP44	/
M45 50/12	50 Nm	12 Rpm	45 mm	230vac 50Hz	205 W	23	IP44	/
M55 80/12	80 Nm	12 Rpm	55 mm	230vac 50Hz	385 W	22	IP44	/
M55 100/10	100 Nm	10 Rpm	55 mm	230vac 50Hz	420 W	22	IP44	/
M55 120/9	120 Nm	9 Rpm	55 mm	230vac 50Hz	420 W	22	IP44	/
SOS45 30/15	30 Nm	17 Rpm	45 mm	230vac 50Hz	191 W	22	IP44	/
SOS45 50/12	50 Nm	12 Rpm	45 mm	230vac 50Hz	205 W	22	IP44	/
SOS59 80/12	80 Nm	12 Rpm	59 mm	230vac 50Hz	385 W	22	IP44	/
SOS59 100/12	100 Nm	10 Rpm	59 mm	230vac 50Hz	420 W	22	IP44	/
SOS59 120/9	120 Nm	9 Rpm	59 mm	230vac 50Hz	420 W	22	IP44	/
RM45 20/17	20 Nm	17 Rpm	45 mm	230vac 50Hz	145 W	23	IP44	433,92 Mhz
RM45 30/17	30 Nm	17 Rpm	45 mm	230vac 50Hz	145 W	23	IP44	433,92 Mhz
RM45 50/12	50 Nm	12 Rpm	45 mm	230vac 50Hz	191 W	23	IP44	433,92 Mhz
RM55 120/9	120 Nm	9 Rpm	55 mm	230vac 50Hz	396 W	22	IP44	433,92 Mhz

PRACTICAL SHUTTERS LAY-OUT



PRACTICAL SUN AWNINGS LAY-OUT






SYSTEMS FOR SUN AWNINGS AND SHUTTERS.

76

RUNNER M - RM

230V *PRODUCT ALSO AVAILABLE
AT 115 VAC

				Code
M35 6/28	Tubular motor Ø 35 mm - 6 Nm - fast operation	1	100	EWSE35628
M35 10/17	Tubular motor Ø 35 mm - 10 Nm	1	100	EWSE351017
M45 20/17	Tubular motor Ø 45 mm - 20 Nm	1	100	EWSE452017
M45 20/17S	Tubular motor Ø 45 mm - 20 Nm - Short	1	100	EWSE452017S
M45 30/17	Tubular motor Ø 45 mm - 30 Nm	1	100	EWSE453017
M45 50/12	Tubular motor Ø 45 mm - 50 Nm	1	100	EWSE455012
M59 80/12	Tubular motor Ø 59 mm - 80 Nm	1	100	EWSE598012
M59 100/10	Tubular motor Ø 59 mm - 100 Nm	1	100	EWSE5910010
M59 120/9	Tubular motor Ø 59 mm - 120 Nm	1	100	EWSE591209
SOS45 30/15	Tubular motor Ø 45 mm - 30 Nm - with emergency manual override	1	100	EWSE453015MS
SOS45 50/12	Tubular motor Ø 45 mm - 50 Nm - with emergency manual override	1	100	EWSE455012MS
SOS59 80/12	Tubular motor Ø 59 mm - 80 Nm - with emergency manual override	1	100	EWSE598012MS
SOS59 100/12	Tubular motor Ø 59 mm - 100 Nm - with emergency manual override	1	100	EWSE5910012MS
SOS59 120/9	Tubular motor Ø 59 mm - 120 Nm - with emergency manual override	1	100	EWSE591209MS
RM45 20/17 B	Tubular motor with embedded radio receiver Ø 45 mm - 20 Nm - BIDIRECTIONAL	1	100	EWSE452017RMB
RM45 30/17 B	Tubular motor with embedded radio receiver Ø 45 mm - 30 Nm - BIDIRECTIONAL	1	100	EWSE453017RMB
RM45 50/12 B	Tubular motor with embedded radio receiver Ø 45 mm - 50 Nm - BIDIRECTIONAL	1	100	EWSE455012RMB
RM55 80/12 B	Tubular motor with embedded radio receiver Ø 55 mm - 80 Nm - BIDIRECTIONAL	1	100	EWSE558012RMB
RM55 100/12 B	Tubular motor with embedded radio receiver Ø 55 mm - 100 Nm - BIDIRECTIONAL	1	100	EWSE5510012RMB
RM55 120/9 B	Tubular motor with embedded radio receiver Ø 55 mm - 120 Nm - BIDIRECTIONAL	1	100	EWSE551209RMB

 Adapters and brackets included

 All Ø 45 mm motors are packaged in boxes of 10 pcs

ACCESSORIES



EWSETX1BRICKB
Bidirectional remote control 1 ch 433 Mhz with magnetic wall support (BRICK1B)



EWSETX16BRICKB
Bidirectional remote control 15 ch 433 Mhz with magnetic wall support (BRICK16B)



**EWSETX1WALLB/
EWSETX15WALLB**
Bidirectional remote control 1/15ch 433MHz with wall support (WALL1B/WALL15B). Only with EWSCE110-220BD (MARTIN-BD)



EWSCE110-220BD
BIDIRECTIONAL MINI control unit for awnings and shutters with built-in radio receiver (MARTIN-BD)



EWSCEVENTOBD
Sun and wind control unit with display and built-in two-way radio receiver (SAIL)

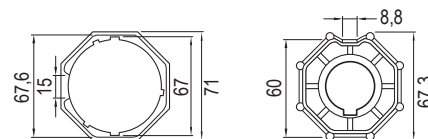
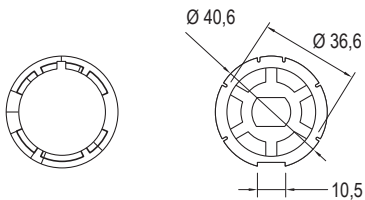


WSEAN
Vibrations sensor

CROWNS, PULLEY, BRACKETS



DOWNLOAD
MORE CONTENT

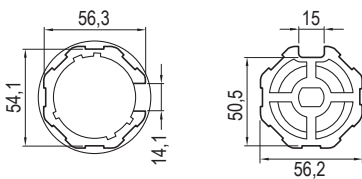


MOTORS Ø 35

- AJWSE0027*** Pulley
- AJWSE0026*** Crown
- AJWSE0061*** Bracket

MOTORS Ø 55

- AJWSE0066** Octagonal pulley Ø 70 mm
- AJWSE0065** Octagonal crown Ø 70 mm
- AJWSE0071** Pole adapter Ø 59-55 mm
- AJWSE0068** Pulley with ogive Ø 78 mm (for sun awnings)
- AJWSE0067** Crown with ogive Ø 78 mm (for sun awnings)



MOTORS Ø 45

- AJWSE0041*** Octagonal pulley Ø 60 mm
- AJWSE0040*** Octagonal crown Ø 60 mm
- AJWSE0046** Pulley with ogive Ø 70mm (for sun awnings)
- AJWSE0047** Crown with ogive Ø 70mm (for sun awnings)
- AJWSE0056** Ogive Ø 78
- AJWSE0057** Pulley Ø 78
- AJWSE0042** Octagonal crown Ø 70
- AJWSE0043** Octagonal pulley Ø 70
- AJWSE0038** Bonfanti octagonal crown Ø 60
- AJWSE0039** Bonfanti octagonal pulley Ø 60
- AJWSE0044** Ogive crown Ø 70 off-center
- AJWSE0045** Ogive pulley Ø 70 off-center
- AJWSE0061*** Wall bracket
- AJWSE0082** Vertical adjustable bracket
- AJWSE0072** Omega for motors Ø 45

ALTRI ACCESSORI

- AJWSE0081** Eyelet
- AJWSE0074** 90° joint
- AJWSE0090** Rod for manual operation
- AJWSE0071** Adapter for Ø 59/55

! Use the QR code to get all adapters

* Supplied with the operator



SYSTEMS FOR SUN AWNINGS AND SHUTTERS.

78

RUNNER RE - RE-B

230V *PRODUCT ALSO AVAILABLE AT 115 VAC

The RUNNER RE range of BIDIRECTIONAL electronics radio controlled motors is suitable for residential and commercial use.

Available in diameters 35-45-55 and with powers ranging from 6Nm to 120Nm.

RUNNER RE can satisfy any specific need to get curtains and shutters automated. The integrated radio receiver allows the programming and management of the operator by the mean of a remote control.

The RUNNER RE-B range of motors is ideal for indoor roller blinds, both in residential and commercial settings.

Available in 25-28-35mm diameter and with powers ranging from 1.1Nm to 3Nm, RUNNER RE-B can satisfy every specific need.

The RUNNER RE-B motor is equipped with an internal battery and therefore no need for power supply. A solar panel or a power supply unit can power it.

BASIC TECHNICAL DATA

- Easy installation and programming
- Limit switch adjustment directly from the remote control
- Internal receiver 433.92 Mhz
- 3 intermediate limit switches (RE)
- Connection cable 2 m long
- For axles Ø 40, 43, 50, 56, 60, 70 and 78mm (shaft Ø 43 for RE-B)
- Equipped with button output
- Compatible with the entire range of FREE DOMUS radio remote controls and home automation
- Compatible with the main home automation protocols and systems on the market
- Soft START and Soft STOP for RE-B.

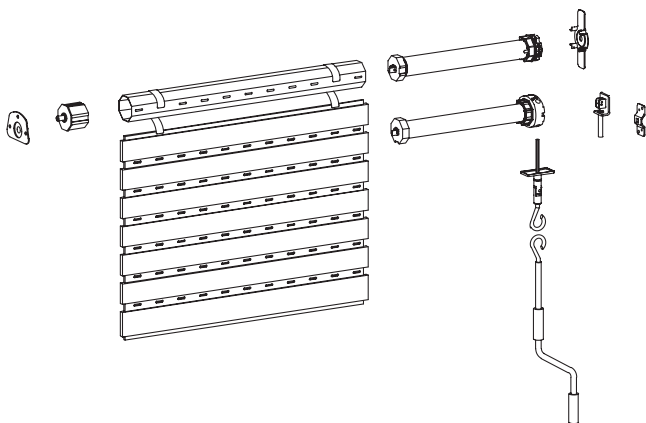


DOWNLOAD MORE CONTENT

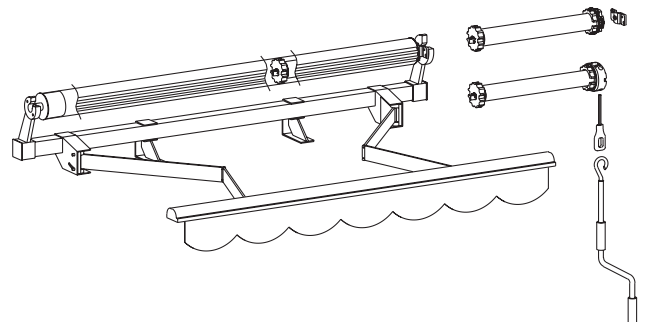
TECHNICAL FEATURES

RUNNER	Nominal torque	Nominal speed	Pipe diameter	Power supply	Absorbed power	Max n° of revolutions	IP protection degree	Radio receiver freq.
RE-B D25	1,2 Nm	40 Rpm	25 mm	12V	10 W	No limits	IP44	433,92 Mhz
RE-B D35	6 Nm	28 Rpm	35 mm	12V	16 W	No limits	IP44	433,92 Mhz
REBD4520BD	20 Nm	10 rpm	45 mm	12 Vdc	50 W	No limits	IP 44	433 MHz
REM4550BD	50 Nm	12 Rpm	45 mm	12 Vdc	142 W	No limits	IP 44	433 MHz
RE-B D55	20 Nm	17 Rpm	45 mm	12V	20 W	No limits	IP44	433,92 Mhz
RE35 6/28	6 Nm	28 Rpm	35 mm	230vac 50Hz	121 W	32	IP44	433,92 Mhz
RE35 10/17	10 Nm	17 Rpm	35 mm	230vac 50Hz	121 W	32	IP44	433,92 Mhz
RE45 20/17	20 Nm	17 Rpm	45 mm	230vac 50Hz	145 W	No limits	IP44	433,92 Mhz
RE45 30/17	30 Nm	17 Rpm	45 mm	230vac 50Hz	191 W	No limits	IP44	433,92 Mhz
RE45 50/12	50 Nm	12 Rpm	45 mm	230vac 50Hz	205 W	No limits	IP44	433,92 Mhz
RE55 80/12	80 Nm	12 Rpm	55 mm	230vac 50Hz	385 W	22	IP44	433,92 Mhz
RE55 100/12	100 Nm	10 Rpm	55 mm	230vac 50Hz	420 W	22	IP44	433,92 Mhz
RE55 120/9	120 Nm	9 Rpm	55 mm	230vac 50Hz	385 W	22	IP44	433,92 Mhz

PRACTICAL SHUTTERS LAY-OUT



PRACTICAL SUN AWNINGS LAY-OUT





SYSTEMS FOR SUN AWNINGS AND SHUTTERS.

80

RUNNER RE - RE-B

230V

*PRODUCT ALSO AVAILABLE
AT 115 VAC

			Cod.
REB D25	Radio electronic battery operated tubular motor Ø 25 mm - 1,1 Nm - BIDIRECTIONAL	1	EWSETND251BB
REB D35	Radio electronic battery operated tubular motor Ø 35 mm - 3,0 Nm - BIDIRECTIONAL	1	EWSETND353BB
REB D45/20BD	Radio electronic battery operated tubular motor Ø 45 mm - 20 Nm - BIDIRECTIONAL	1	EWSETND4520BB
RE35 6/28	Radio electronic tubular motor Ø 35 mm - 6 Nm - multiple limit switches - BIDIRECTIONAL	1	EWSE35628EB
RE35 10/14	Radio electronic tubular motor Ø 35 mm - 10 Nm - multiple limit switches - BIDIRECTIONAL	1	EWSE351014EB
RE45 20/17BD	Radio electronic tubular motor Ø 45 mm - 20 Nm - multiple limit switches - BIDIRECTIONAL	1	EWSE452017EB
RE45 30/17BD	Radio electronic tubular motor Ø 45 mm - 30 Nm - multiple limit switches - BIDIRECTIONAL	1	EWSE453017EB
RE45 50/12BD	Radio electronic tubular motor Ø 45 mm - 50 Nm - multiple limit switches - BIDIRECTIONAL	1	EWSE455012EB
RE55 80/12	Radio electronic tubular motor Ø 55 mm - 80 Nm - multiple limit switches - BIDIRECTIONAL	1	EWSE558012EB
RE55 100/12	Radio electronic tubular motor Ø 55 mm - 100 Nm - multiple limit switches - BIDIRECTIONAL	1	EWSE5510012EB
RE55 120/9	Radio electronic tubular motor Ø 55 mm - 120 Nm - multiple limit switches - BIDIRECTIONAL	1	EWSE551209EB
RMD4550BD	Battery operated radio-mechanical motor kit ø 45 mm - 50 N - BIDIRECTIONAL	1	KEWSE455012RMBB

! Adapters and brackets included

ACCESSORI



EWSETX1BRICKB
Bidirectional remote control 1 ch 433 Mhz with magnetic wall support (BRICK1B)



EWSETX16BRICKB
Bidirectional remote control 15 ch 433 Mhz with magnetic wall support (BRICK16B)



**EWSETX1WALLB/
EWSETX15WALLB**
Bidirectional remote control 1/15ch 433MHz with wall support (WALL1B/WALL15B). Only with EWSCE110-220BD (MARTIN-BD)



EWSCE110-220BD
BIDIRECTIONAL MINI control unit for awnings and shutters with built-in radio receiver (MARTIN-BD)

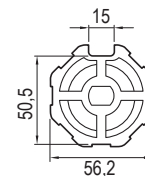
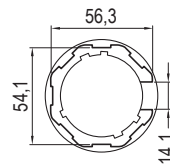
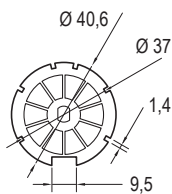
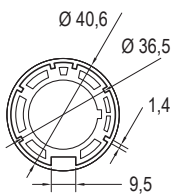


EWSCEVENTOBD
Sun and wind control unit with display and built-in two-way radio receiver (SAIL)



WSEAN
Vibrations sensor

CROWNS, PULLEY, BRACKETS

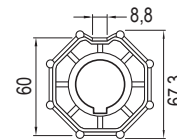
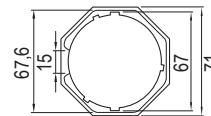
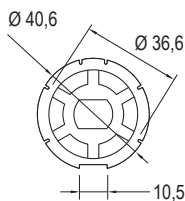
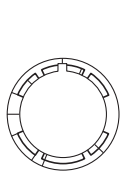


MOTORS Ø 28

- AJWSE0021*** Pulley
- AJWSE0022*** Crown
- AJWSE0061*** Bracket

MOTORS Ø 45

- AJWSE0041** Octagonal pulley Ø 60 mm
- AJWSE0040** Octagonal crown Ø 60 mm
- AJWSE0046** Pulley with ogive Ø 70mm (for sun awnings)
- AJWSE0047** Crown with ogive Ø 70mm (for sun awnings)
- AJWSE0061** Wall bracket



MOTORS Ø 35

- AJWSE0027** Pulley
- AJWSE0026** Crown
- AJWSE0061** Bracket

MOTORS Ø 55

- AJWSE0066** Octagonal pulley Ø 70 mm
- AJWSE0065** Octagonal crown Ø 70 mm
- AJWSE0071** Pole adapter Ø 59-55 mm
- AJWSE0068** Pulley with ogive Ø 78 mm (for sun awnings)
- AJWSE0067** Crown with ogive Ø 78 mm (for sun awnings)

! Use the QR code to get all adapters

* Awnings only



AJWSE0098
Extension for battery charger from box for code EWSETND4520BB and KEWSE455012RMBB



12565
Battery charger for EWSETND4520BB and KEWSE455012RMBB



12563
Solar panel for EWSETND4520BB and KEWSE455012RMBB



12564
Battery charger for EWSETND251-282-353



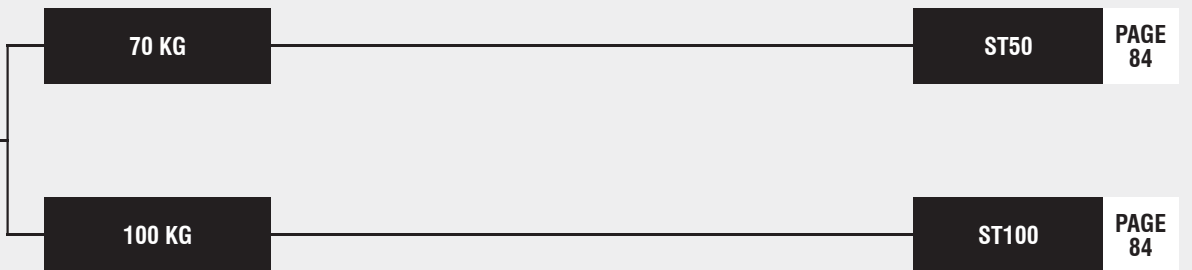
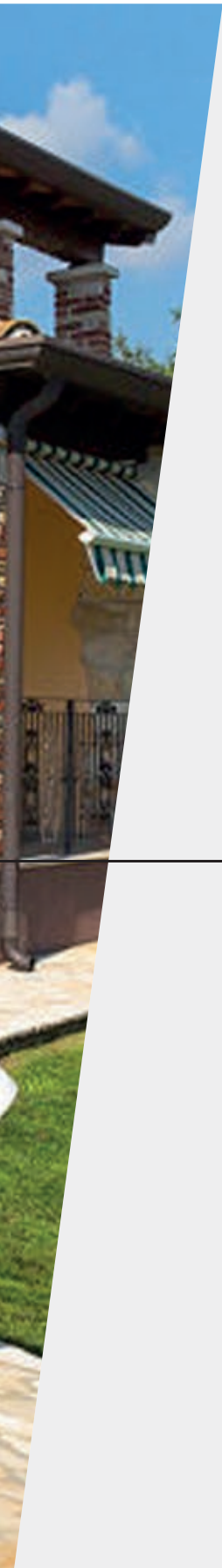
KUMO HUB
Home automation device WI-FI - RADIO



ARM AUTOMATION
FOR SWINGING SHUTTER.



ELECTROMECHANICS





ARM AUTOMATION FOR SWINGING SHUTTER.

84

ST50-100

230V

UP TO 100KG

COMFORTABLE

No cold, rain or wind in winter or heat and mosquitoes in summer; the doors close by pressing a button inside the house without opening the windows.

EASILY APPLIED

Section dimensions of just 77 mm make it easily applicable. If space is limited, it can be installed with just 80 mm of useful space!

SAFE

Thanks to its standard irreversible locking system, which can be increased with the optional electric lock or the option to control external electric locks.

PRACTICAL

The telescopic cover makes the automation adaptable even

for existing doors and windows. The telescopic arm and the Padovano arm are optional extras and enhance the field of applicability.

INTEGRATED CONTROL UNIT

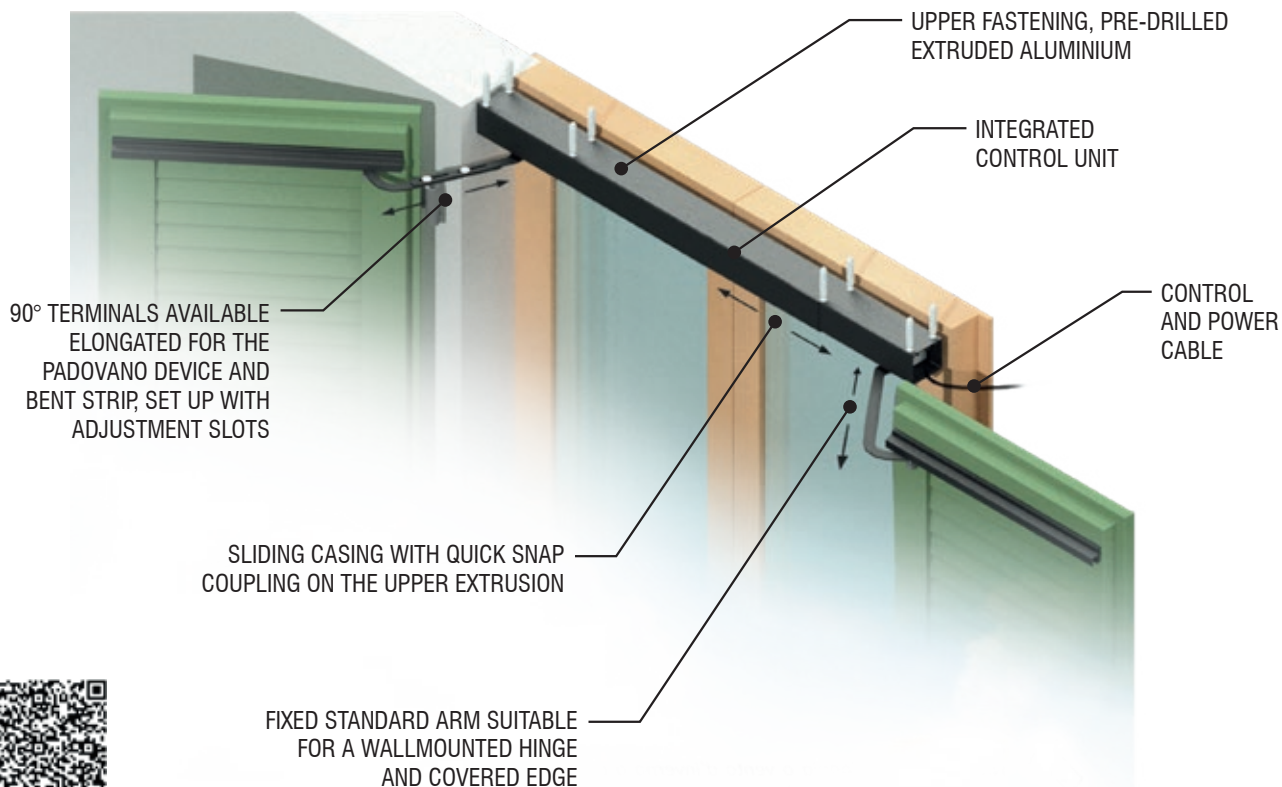
Movement control unit with sequence between the two doors perfectly interfaceable with all the domotic systems. It respects the safety requirements in case of impact, and the force and delay between the doors can be adjusted.

CERTIFIED

Manufactured for professional use, CE-certified and conforming to free-standing European directives and standards, and to the low-energy directives.

MADE IN ITALY

All components are entirely made in Italy.



DOWNLOAD
MORE CONTENT

TECHNICAL FEATURES

	ST50.2A	ST50.1A.L/R	ST100.2A	ST100.1A.L/R
Number of doors	2	1 LH / 1 RH	2	1 LH / 1 RH
Max surface	3,6 sqm - 2 doors	1,8 sqm - 1 door	4,0 sqm - 2 doors	2,0 sqm - 1 door
Max door weight	70 kg (each)	70 kg	100 kg	100 kg
Dimensions WxHxD	77x67x800 / 1600 mm.	77x67x800 / 800 mm.	77x67x1600 / 2000 mm.	77x67x1600 / 2000 mm.
Power supply	110-230 Vac	110-230 Vac	110-230 Vac	110-230 Vac
Maximum current absorption	0,3 A	0,3 A	0,3 A	0,3 A
Impact force	< 150 N	< 150 N	< 150 N	< 150 N
Max torque	50 NM	50 NM	80 NM	80 NM
Manoeuvre time 180°	20 sec. - 2 doors	15 sec. - 1 door	20 sec. - 2 doors	15 sec. - 1 door
Working cycle	20 cycles/hour	20 cycles/hour	20 cycles/hour	20 cycles/hour
Limit switch adjustment	With thrust control	With thrust control	With thrust control	With thrust control
Degree of protection	IP32	IP32	IP32	IP32
Casing colour	Whyte RAL 9010 type	Black RAL 9005 type	Whyte RAL 9010 type	Black RAL 9005 type
Irreversible arm	STANDARD	STANDARD	STANDARD	STANDARD
Articulation colour	Black RAL 9005 type	Black RAL 9005 type	Black RAL 9005 type	Black RAL 9005 type
Casing and articulation RAL colour	Natural aluminium and galvanised arm	Natural aluminium and galvanised arm	Natural aluminium and galvanised arm	Natural aluminium and galvanised arm
Electric lock	YES on request	YES on request	YES on request	YES on request
Integrated radio receiver	YES on request	YES on request	YES on request	YES on request




ARM AUTOMATION FOR SWINGING SHUTTER.

86

ST50 - 100

230V

UP TO 100KG

			Code
ST02301	ST50 2A - 2-door swing automation 80/120 cm - adjustable arm	1	ST02301
ST02501	ST50 2A - 2-door swing automation 120/160 cm - adjustable arm	1	ST02501
ST02701	ST50 1A - 1-door swing automation 60/80 cm - adjustable arm	1	ST02701
ST03301	ST100 2A - 2-door swing automation 160/200 cm - adjustable arm	1	ST03301
ST03701	ST100 1A - 1-door swing automation 80/125 cm - adjustable arm	1	ST03701

- !** Color White 9010 Matt
For matt black color 9005 the product code ends with 0 instead of 1
For natural aluminum color the product code ends with 2 instead of 1

ACCESSORIES



ST01488
MA-Arm that
closed shutter
folding doors



ST02914
ST50
Sheet metal for recess
L=1600 mm.



EWSCE110-220BD
BIDIRECTIONAL MINI
control unit for awnings
and shutters with
built-in radio receiver
(MARTIN-BD)



EWSETX1BRICKB
Bidirectional remote
control 1 ch 433 Mhz
with magnetic wall
support (BRICK1B)



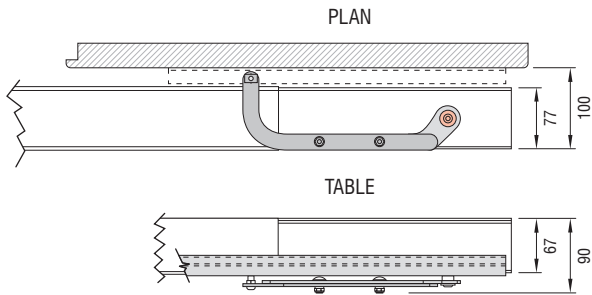
EWSETX16BRICKB
Bidirectional remote
control 15 ch 433 Mhz
with magnetic wall
support (BRICK16B)



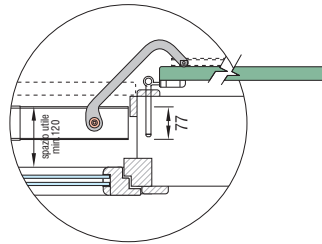
ST01493
WH.471-24
Electromechanical lock
with side cable outlet

DIMENSIONS

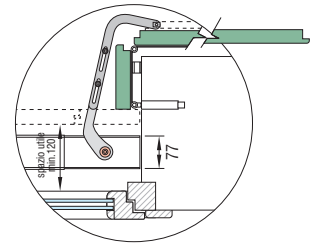
SOLUTION WITH RAIL ALONGSIDE THE CASING



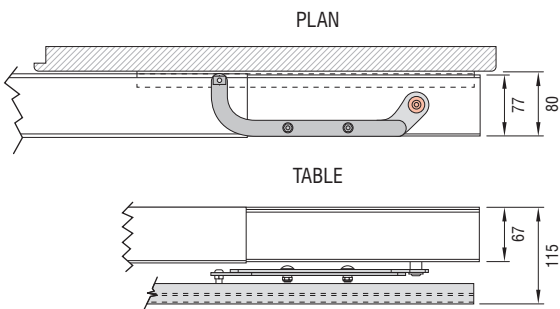
STRAIGHT STRIP AND COATED EDGE



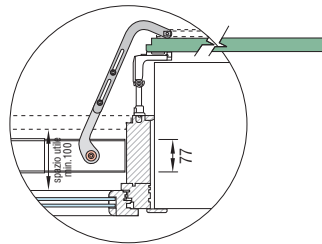
PADOVANA STYLE ARTICULATED STRIP



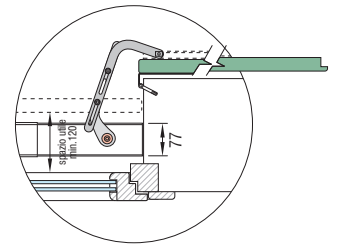
SOLUTION WITH RAIL UNDER THE CASING



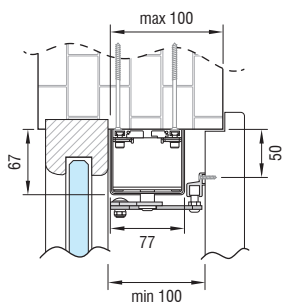
EDGE PROJECTION ON MONOBLOC



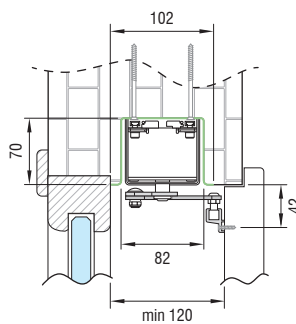
GALVANISED STRIP



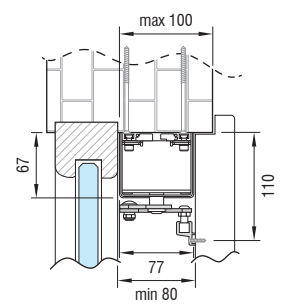
EXPOSED AUTOMATION AND RAIL ALONGSIDE



ENCASED AUTOMATION



EXPOSED AUTOMATION AND RAIL UNDERNEATH



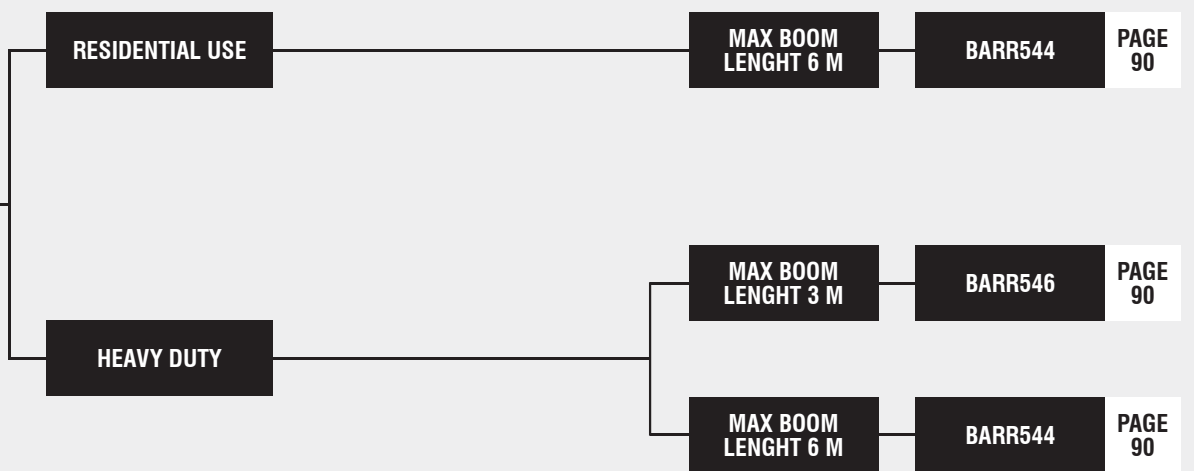


AUTOMATIC BARRIERS.

88



ELECTROMECHANICS





AUTOMATIC BARRIERS.

90

BARR500

24V

*PRODUCT ALSO AVAILABLE
AT 115 VAC

24Vdc electromechanical barriers for aperture up to 6 m for intensive use.

EASY TO INSTALL

Thanks to the adjustable anchorage system and control unit in elevated position.

SILENT AND FAST

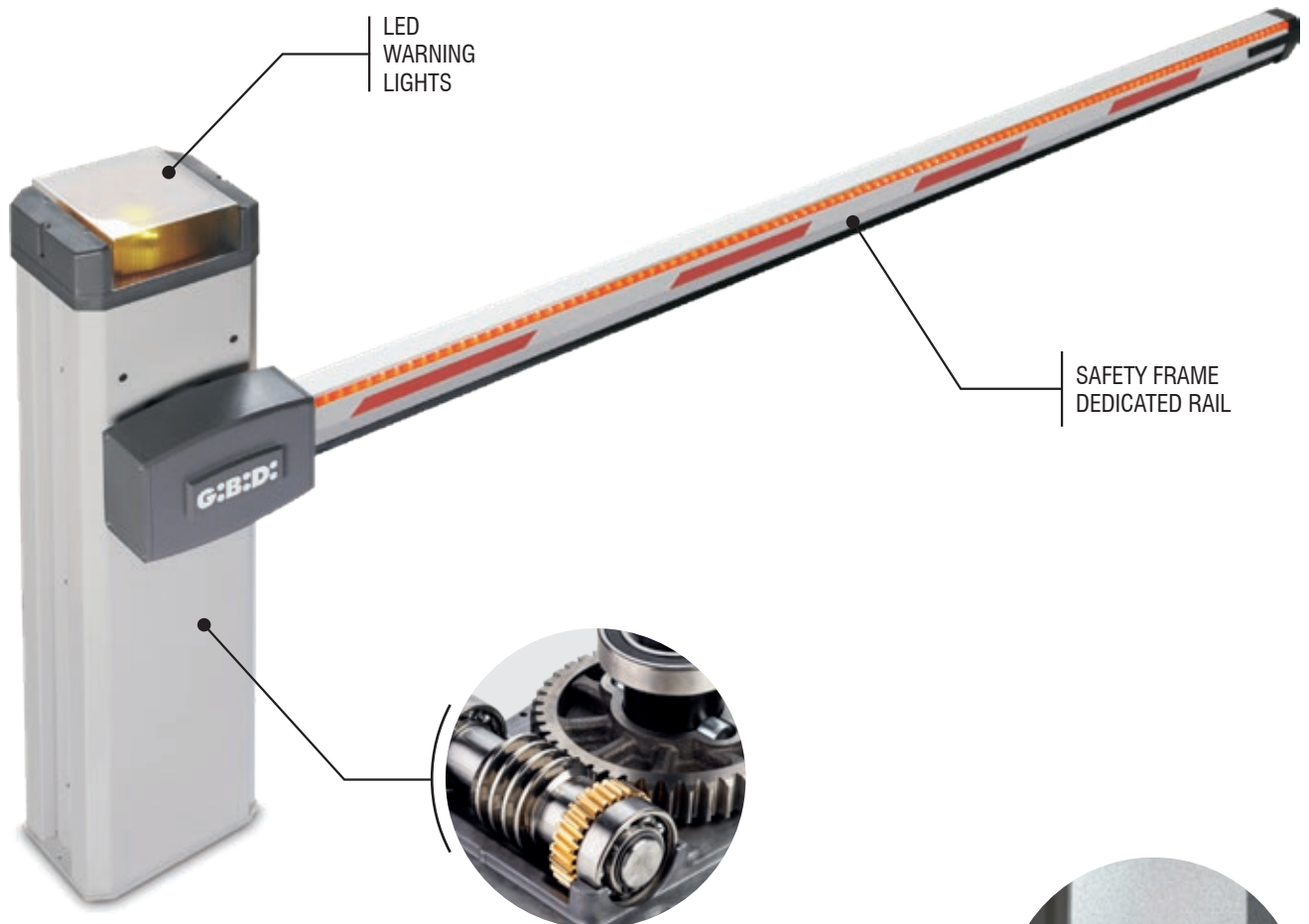
Fast reduction gear for opening in 1,8 sec. and up to 5 sec. Exclusively made with high quality materials.

TECHNOLOGICAL AND SAFE

Master/Slave option, integrated traffic-light system, programmable safety devices connection and plenty of special functions. Transmission gear made of heat-treated forged steel. Embedded and adjustable anti-crushing technology for more safety, as established by EN 12453 standards.

A COMPLETE AND RELIABLE RANGE

Suitable for apertures up to 6 m, with many accessories to complete it. Exclusively made with high quality materials. Balancing system with compression springs is made with special long-lasting steel.



HIGH QUALITY
PAINTING



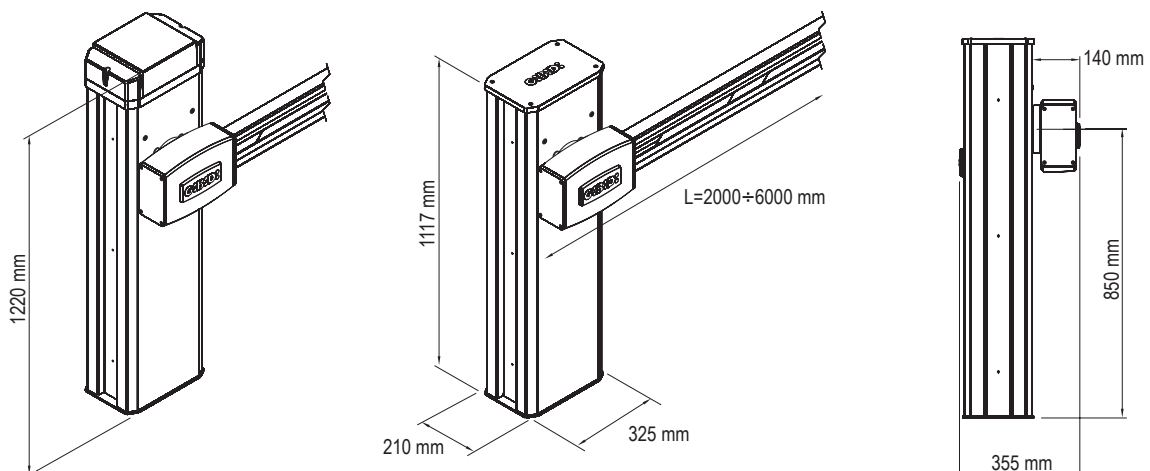
DOWNLOAD
MORE CONTENT

TECHNICAL FEATURES

	BARR 544	BARR 546
Type of use	HEAVY DUTY	HEAVY DUTY
Frequency of use	50% H24	60% H24
Motor power supply	24 Vdc	24 Vdc
Absorbed power	150 W	200 W
Protection degree	IP55 (IP67 operator)	IP55 (IP67 operator)
Boom length	Max 6 m	Max 3 m
Opening time	5 s	1,8 s
Adjustable thrust	YES	YES
Decelerations	YES	YES
Operating temperature	-20°C + 60°C	-20°C + 60°C
Type of boom balancing	COMPRESSION SPRING	COMPRESSION SPRING
Encoder/limit switch	LIMIT SWITCHES O/C	LIMIT SWITCHES O/C
Weight of the unit	45 Kg	45 Kg

! BARR500 have to be considered ready for right hand installation.
Please refer to the instructions book to modify the use hand and boom balancing

DIMENSIONS







AUTOMATIC BARRIERS.

92

BARR500

24V

*PRODUCT ALSO AVAILABLE AT 115 VAC

					Code
BARR 544	24 Vdc with embedded BR24 control unit	EN	1	8	11524DS2C
BARR 546	24 Vdc with embedded BR24 control unit, fast version	EN	1	8	11524VDS2C

- ! Boom inlet not included
- ! Balancing spring not included (see page 94)
- * Control unit technical details, see page 119

COMMON ACCESSORIES



AJ01060
Flashing light unit including 24 Vdc LED board



AJ01080
Cooling fan for the barrier control unit (suggested when high heavy duty is required)



AJ01100
Others accessories fixation plate



AJ01040
Foundation plate



AJ01030
Release device with personalised lock+ keys



AJ01482
Battery back up kit for BR24



AJ01020
Paintend fork support for booms



AJ01021
Wider fork support end to be used with AJ01020 (suggested for booms of 6 m and in presence of strong wind)



11106
Aluminium rack, module of 1 m. Not suggested to be used with fast barrier

ACCESSORIES FOR THE BOOM 100X66



AJ01310
Boom inlet for booms 100x66



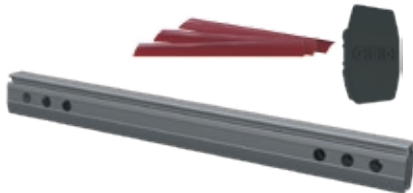
AJ01130
Kit for the articulated boom (not suggested with fast barrier)



AJ01140
Kit of plastic covers (boom inlet, end cap) necessary if there are boom LED lights and safety edges



AJ01050
100x66 boom end support, movable version. Necessary to add the AJ01140



Aluminium booms.
Red reflective stickers and end caps are included

- AB13000** Boom L=2 m
- AB13010** Boom L=3 m
- AB13020** Boom L=4 m
- AB14010** Boom L=4,5 m
- AB14020** Boom L=5 m
- AB13030** Boom L=5,7 m



RED/GREEN LED light kit with connector and cap.
To be used with code AJ01140

- AJ70261** R/G LED kit for arm of 2 m
- AJ70271** R/G LED kit for arm of 3 m
- AJ70251** R/G LED kit for arm of 4 m
- AJ70291** R/G LED kit for arm of 4,5 m
- AJ70301** R/G LED kit for arm of 5 m
- AJ70281** R/G LED kit for arm of 5,7 m



8K2 safety edge.
To be used with AJ01140

- AJ01270** 8K2 safety edge for 2 m boom
- AJ01280** 8K2 safety edge for 3 m boom
- AJ01290** 8K2 safety edge for 4 m boom
- AJ01530** 8K2 safety edge for 4,5 m boom
- AJ01540** 8K2 safety edge for 5 m boom
- AJ01300** 8K2 safety edge for 5,7 m boom

* For shipments of booms exceeding 4 m, a transport cost contribution will apply.

ACCESSORIES FOR THE BOOM 80X40



Aluminium booms.
Red reflective stickers and end caps are included

- AB13040** Boom L=2 m
- AB13050** Boom L=3 m
- AB13060** Boom L=4 m
- AB13070** Boom L=6 m



AJ01010
Boom inlet for booms 80x40



AJ01260
80x40 boom end support, movable version

* For shipments of booms exceeding 4 m, a transport cost contribution will apply.



AUTOMATIC BARRIERS.

94

BARR500

24V

*PRODUCT ALSO AVAILABLE AT 115 VAC



balancing spring choice

Spring type	A	B	C	D	E	F
Code	AJ01340	AJ01350	AJ01360	AJ01370	AJ01380	AJ01390

100x66 mm profile accessories

Boom length (m)

	2	2,5	3	3,5	4	4,5	5	5,5	6
Boom	A	A	A	B	B	C	D	D	E
Boom + Light	A	A	A	B	C	C	D	E	E
Boom + Edge	A	A	B	B	C	D	E	E	F
Boom + Edge + Light	A	A	B	B	C	D	E	F	F
Boom + Endfoot	A	A	B	B	C	D	E		
Boom + Endfoot + Light	A	A	B	B	C	D	E		
Boom + Endfoot + Edge	A	A	B	C	D	E	E		
Boom + Endfoot + Edge + Light	A	B	B	C	D	E	F		
Boom + Rack	A	A	B	B	C	D	E	E	F
Boom + Rack + Light	A	A	B	B	C	D	E	F	F
Boom + Rack + Endfoot	A	B	B	C	D	E	E		
Boom + Rack + Endfoot + Light	A	B	B	C	D	E	F		
Articulated boom		B	B	B	C				
Articulated boom + Light		B	B	C	D				
Articulated boom + Edge		B	B	B	D				
Articulated boom + Edge + Light		B	B	C	D				
Articulated boom + Endfoot		B	B	C	D				
Articulated boom + Endfoot + Light		B	B	C	D				
Articulated boom + Endfoot + Edge + Light		B	B	C	D				

80x40 mm profile accessories

Boom length (m)

	2	2,5	3	3,5	4	4,5	5	5,5	6
Boom	A	A	A	A	B	B	B	C	D
Boom + Edge	A	A	A	B	B	C	C	D	E
Boom + Endfoot	A	A	A	B	B	B	C	C	D
Boom + Edge + Endfoot	A	A	B	B	B	C	D	D	E
Boom + Rack	A	A	A	B	B	C	D	D	E
Boom + Rack + Endfoot	A	A	B	B	B	C	D	D	E

			Code
KIT BARR2B	2 m BARR544 kit - Basic with 80x40 mm boom	B	KBARR2B
KIT BARR3B	3 m BARR544 kit - Basic with 80x40 mm boom	B	KBARR3B
KIT BARR4B	4 m BARR544 kit - Basic with 80x40 mm boom	B	KBARR4B
KIT BARR6B	6 m BARR544 kit - Basic with 80x40 mm boom	B	KBARR6B
KIT BARR2F	2 m BARR544 kit - Full Optional with 100x66 mm boom	F	KBARR2F
KIT BARR3F	3 m BARR544 kit - Full Optional with 100x66 mm boom	F	KBARR3F
KIT BARR4F	4 m BARR544 kit - Full Optional with 100x66 mm boom	F	KBARR4F
KIT BARR45F	4,5 m BARR544 kit - Full Optional with 100x66 mm boom	F	KBARR45F
KIT BARR5F	5 m BARR544 kit - Full Optional with 100x66 mm boom	F	KBARR5F
KIT BARR6F	5,7 m BARR544 kit - Full Optional with 100x66 mm boom	F	KBARR57F

B Kit Basic

F Kit FULL optional

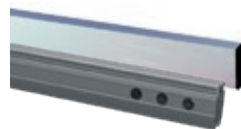
INSTALLATION LAY-OUT



B F **BARR500**
BARR544 with
BR24 control unit



B F
Boom inlet



B F
Barrier arm/boom



B F
Balancing spring



F **AJ01140**
Joint cover complete
with boom cap



F **AJ01030**
Release device with
personalized lock



F **AJ01060**
Flashing light unit
including 24 Vdc
LED board

F
8K2 Ohm safety edge



F
LED lights
for the boom



BOLLARDS.

96

ELECTROMECHANICS

HYDRAULICS

Ø 115 MM
H 500 MM

ROAD E 115

PAGE
98

Ø 200 MM
H 700 MM

ROAD E 200

PAGE
98

Ø 275 MM
H 600 MM

ROAD H 600

PAGE
98

Ø 275 MM
H 800 MM

ROAD H 800

PAGE
98



BOLLARDS.

98

ROAD

230V

*PRODUCT ALSO AVAILABLE
AT 115 VAC

Automatic rising bollards in 230Vac with hydraulic or electromechanical technology.

EASY TO INSTALL

The motor and drive unit are always integrated and they are already in their foundation boxes.

SILENT AND STRONG

Special motors balanced for a silent operation, cylinder thickness from 4 to 6 mm and diameter of 275 mm. One of the strongest of its range.

PERFORMING

Made with special motor to be faster and more durable in time.

TECHNOLOGICAL AND SAFE

Electromechanical version with recirculating ball dragging cursor and high efficiency hydraulic versions for super-intensive use.

DESIGN

Elegant, with integrated LED crown for the 200mm and 275mm diameter versions, powder coated and easily adaptable into any residential, commercial or industrial setting.



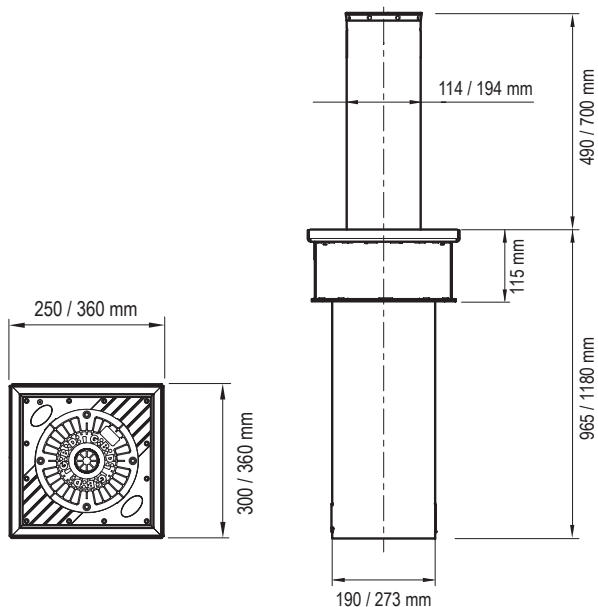
DOWNLOAD
MORE CONTENT

TECHNICAL FEATURES

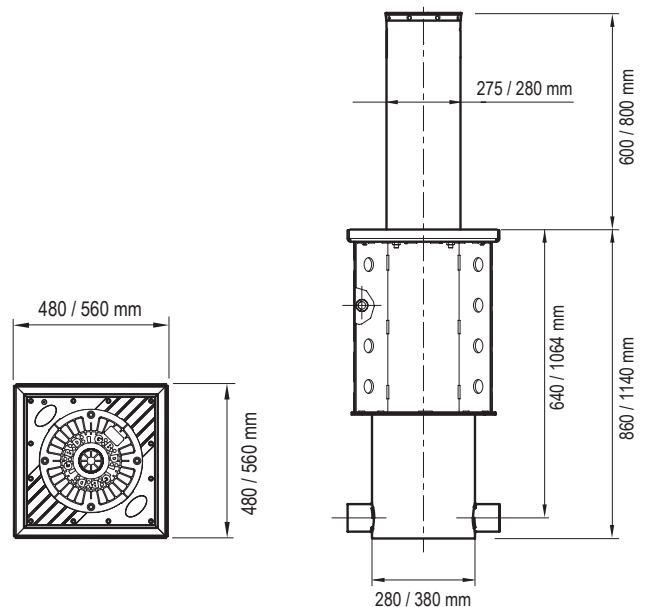
	ROAD E 115	ROAD E 200	ROAD H 600	ROAD H 800
Type of use	RESIDENTIAL	RESIDENTIAL	HEAVY DUTY	HEAVY DUTY
Frequency of use	500/H24	500/H24	3.000/H24	3.000/H24
Motor power supply	230Vac - 50/60Hz	230Vac - 50/60Hz	230Vac - 50/60Hz	230Vac - 50/60Hz
Absorbed power	300 W	300 W	600 W	600 W
Protection degree	IP67	IP67	IP67	IP67
Resistance to impact without deformation	7.000 J	7.000 J	20.000 J	20.000 J
Anti-breakthrough resistance	60.000 J	60.000 J	250.000 J	250.000 J
Opening/closing time	5 s.	5 s.	5 s.	6 s.
Cylinder diameter	115 mm	194 mm	273 mm	273 mm
Cylinder stroke	500 mm	700 mm	600 mm	800 mm
Cylinder thickness	-	-	6 mm	6 mm
Operating temperature	-20°C + 60°C	-20°C + 60°C	-20°C + 60°C	-20°C + 60°C

DIMENSIONS

ROAD E115 / E200



ROAD H600 / H800





BOLLARDS.

100

ROAD E

230V

*PRODUCT ALSO AVAILABLE
AT 115 VAC

			Code
ROAD E 115/500	Electromechanical bollard without LED – Ø 115 mm - H500 mm with foundation box	1	ROADE115500
ROAD E 200/700	Electromechanical bollard with LED – Ø 200 mm – H700 mm with foundation box	1	ROADE200700
ROAD E 115/500-I304	Stainless steel Electromechanical bollard without LED – Ø 115 mm - H500 mm with foundation box (AISI304)	1	ROADE115500I304
ROAD E 200/700-I304	Stainless steel Electromechanical bollard with LED – Ø 200 mm – H700 mm with foundation box (AISI304)	1	ROADE200700I304
ROAD EO 210/490	Electromechanical bollard with LED – Ø 210 mm - H490 mm with foundation box. Approved by the Italian Ministry of Transport	1	ROADE0210490
ROAD EO 210/700	Electromechanical bollard with LED – Ø 210 mm – H700 mm with foundation box. Approved by the Italian Ministry of Transport	1	ROADE0210700
ROAD EO 210/490-I304	Stainless steel Electromechanical bollard with LED – Ø 210 mm - H490 mm with foundation box (AISI304). Approved by the Italian Ministry of Transport	1	ROADE0210490I304
ROAD EO 210/700-I304	Stainless steel Electromechanical bollard with LED – Ø 210 mm – H700 mm with foundation box (AISI304). Approved by the Italian Ministry of Transport	1	ROADE0210700I304

ROAD E ACCESSORIES

AJKBATTROADE

Battery kit to keep the bollard raised in case of power cut

COMMON ACCESSORIES

ASROADE

Control unit for ROAD E and H series (max 4 bollards)

ASROADEO


Control unit for ROAD EO and H series (max 4 bollards)

AJTPF

Fixing plate for external TOTEM (services)

AJTOTEM

TOTEM (Services column)

			Code
ROAD H 275/600	Hydraulic bollard with LED - Ø 275 mm - H600 mm with foundation box	1	ROADH275600
ROAD H 275/600-I316	Stainless steel (AISI316) Hydraulic bollard with LED - Ø 275 mm - H600 mm with foundation box	1	ROADH275600I316
ROAD H 275/800	Hydraulic bollard with LED - Ø 275 mm – H800 mm with foundation box	1	ROADH275800
ROAD H 275/800-I316	Stainless steel (AISI316) Hydraulic bollard with LED - Ø 275 mm – H800 mm with foundation box	1	ROADH275800I316

ROAD H ACCESSORIES

AJALARMROADH

Anti-vandal kit for ROAD H

AJTCAP
Standard lid
for TOTEM

AJTCAPLIGHT
Traffic light cap
for TOTEM

AJEXT50ROADE
50 m cable extension

AJEXT25ROADE
25 m cable extension

AJRILSIR
Emergency siren
acoustic detector



BOLLARDS.

102 ROAD FIX

230V

*PRODUCT ALSO AVAILABLE
AT 115 VAC

			Code
ROAD FIX219	Fixed bollard with LED – Ø 219 mm - H700 mm. Flange included	1	ROADFIX219
ROAD FIX275/600	Fixed bollard with LED – Ø 275 mm - H600 mm. Without flange	1	ROADFIX275600
ROAD FIX275/800	Fixed bollard with LED – Ø 275 mm – H800 mm. Without flange	1	ROADFIX275800

ROAD FIX ACCESSORIES

AJFLAFIX
Flange for ROAD FIX275

AJALIFIX
Power supply for the LED crown
on fix bollards

INSTALLATION LAY-OUT

1 ROAD
ROAD bollard complete
with foundation box

2 ASRAODE
Control unit

3 70750
Complete flashing lamp
device DSL70750
12-24-115-230V

4 AU02540
DRS 4331 Universal
1 channel receiver

5 AU03100
MAKO remote control
433Mhz



6 AU01940
Wall mounted key selector
model DCS100



7 AU02250
Pair of DCF180
wall mounted photocells



8 AU02160
RED LED light
230 Vac / 24 Vdc - ac
IP54



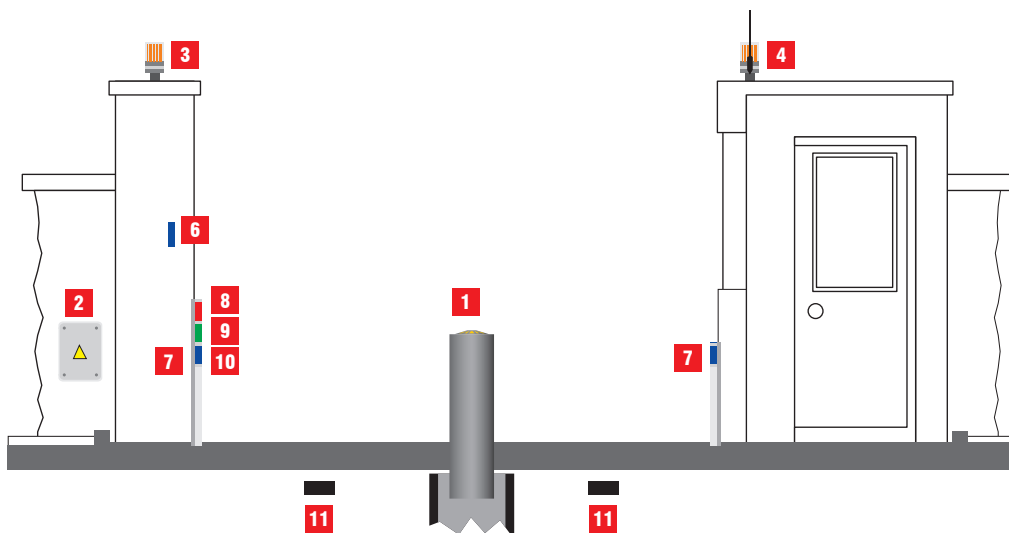
9 AU02170
GREEN LED light
230 Vac / 24 Vdc - ac
IP54



10 AU01970
Plastic spacer cap



11 AS05900
Metallic
mass detector -
24 Vdc/ 230 Vac

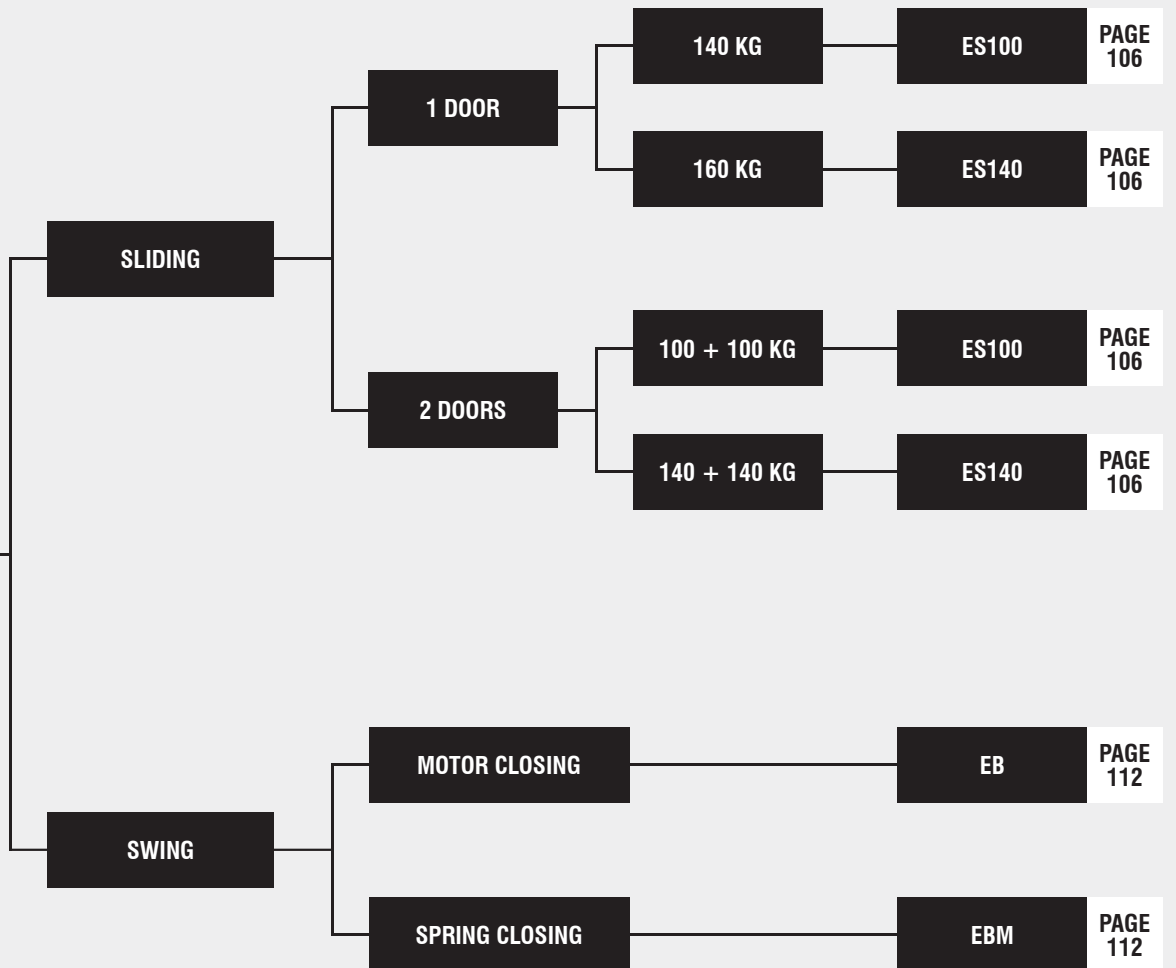




AUTOMATIC DOORS.

104

ELECTROMECHANICAL





AUTOMATIC DOORS.

106

ENTRA ES

230V

*PRODUCT ALSO AVAILABLE
AT 115 VAC

ENTRA ES operators for sliding doors are suitable for any type of installation; even the most demanding. Standing out for their modularity, mechanical and electronic characteristics that make for a flexible, functional, compact and, most importantly, easy to install fully equipped automatic door opening system. Technologically the most advanced solution available on the market.

Available in two options: the ES100 model (140Kg with one door or 100 + 100kg with two doors), and the ES140 with a capacity of 160Kg with one door or 140 + 140 Kg with two doors), both compliant to EN 16005 standards.

Built within a rigid aluminum structure, with removable covers and a practical lock/unlock device to keep the cover open during maintenance and cleaning procedures.

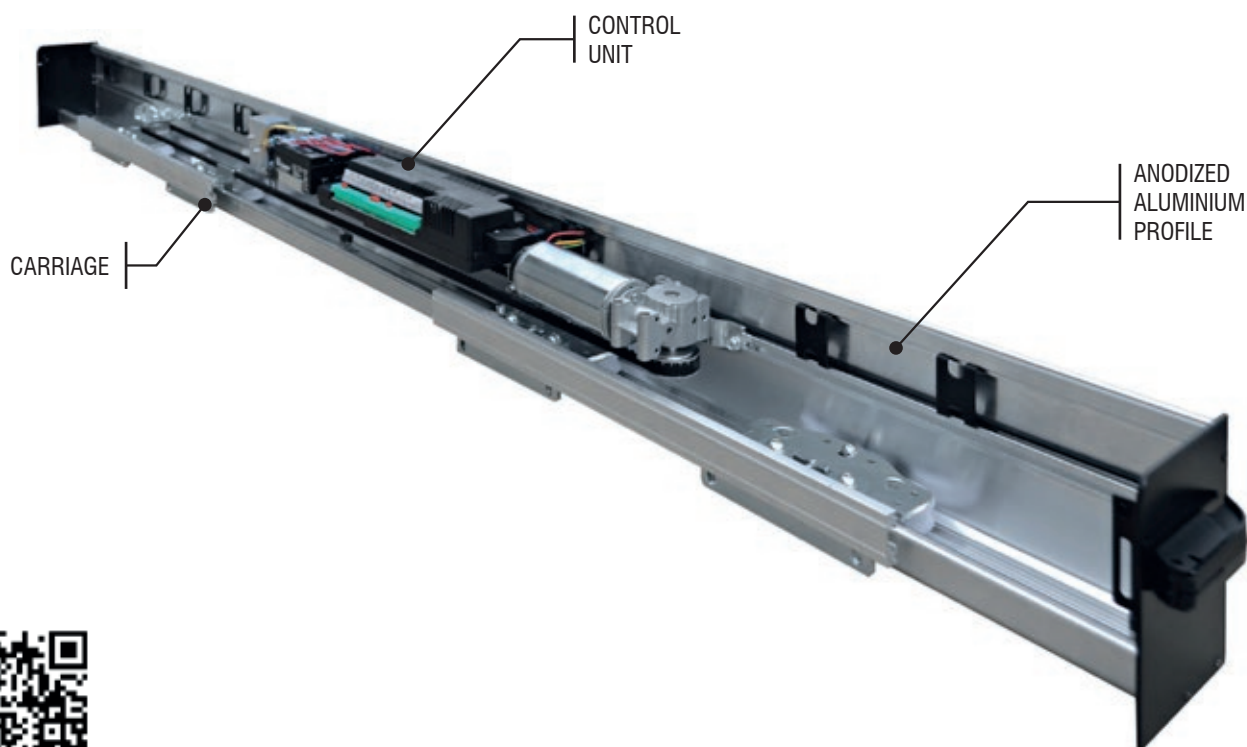
The trolley mechanism is made of steel with a self-lubricating double wheel, with a larger diameter and built-in height adjuster,

it makes the ENTRA ES a robust and noiseless automation solution. The ES100 has a 150W gearmotor and the ES140 a 180W, both coupled to high-resolution encoders.

The electronic control unit, with integrated switching power supply, guarantees greater energy savings, less weight, reduced dimensions and greater accelerations. Double microprocessor technology protected by a double self-extinguishing plastic shell and simplified programming thanks to the self-learning feature of the operating parameters.

Adjusting all parameters can be performed directly on the board via the display using specific selection buttons. It is also possible to connect logic selectors wirelessly.

ENTRA ES - really the most "creative" solution for your pedestrian entrance.



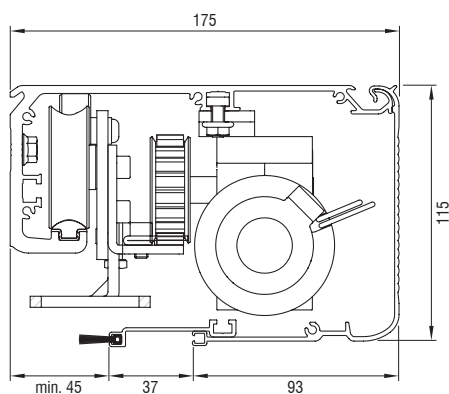
DOWNLOAD
MORE CONTENT

TECHNICAL FEATURES

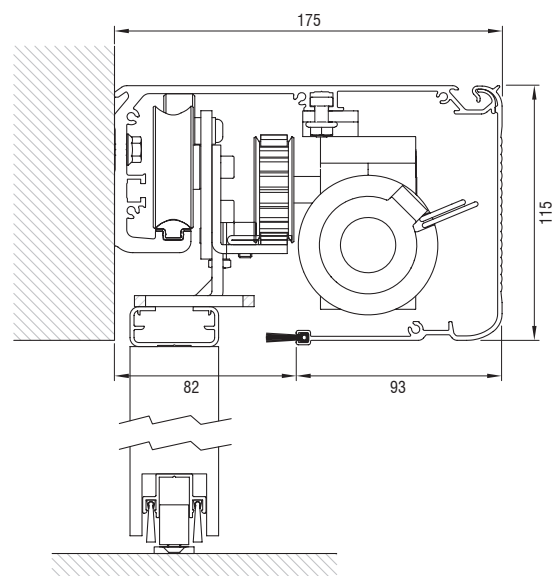
	ES100	ES140
Type of use	HEAVY DUTY	HEAVY DUTY
Number of wings	1 - 2	1 - 2
Motor power supply	230 Vac - 50/60 Hz	230 Vac - 50/60 Hz
Absorbed power	150 W	180 W
Protection degree	IP 20	IP 20
Accessories power supply	15V DC - 12 W Max	15V DC - 12 W Max
Back-up battery (optional)	24 V 1,2 Ah	24 V 1,2 Ah
Max opening speed	1 wing (70cm/s) - 2 wings (140 cm/s)	1 wing (70cm/s) - 2 wings (140 cm/s)
Max closing speed	70% of the opening speed	70% of the opening speed
Max wing payload	1 wing (140Kg) - 2 wings (100 Kg+ 100 Kg)	1 wing (160Kg) - 2 wings (140 Kg+140 Kg)
Max clear opening	1 wing (700÷3000 mm) 2 wings (800÷3000 mm)	1 wing (700÷3000 mm) 2 wings (800÷3000 mm)
Operating temperature	-10° C ÷ +55°C	-10° C ÷ +55°C
Anti-crushing	YES	YES
Weight of the product	11 Kg/m	11 Kg/m
Conformity standard	EN 16005	EN 16005

DIMENSIONS

OPERATOR SECTION



ENTRANCE WITH COMMERCIAL PROFILES AND ADAPTERS





AUTOMATIC DOORS.

108

ENTRA ES100 - 1 WING

230V

*PRODUCT ALSO AVAILABLE
AT 115 VAC

UP TO 140KG

T	LUP	Pre-assembled automation	Code		Code
1600	700	ES100 operator for single door - silver anodized	ES100PF2020	ES anodized lid	EAMPF2360
2000	900	ES100 operator for single door - silver anodized	ES100PF2022	ES anodized lid	EAMPF2362
2400	1100	ES100 operator for single door - silver anodized	ES100PF2024	ES anodized lid	EAMPF2364
2800	1300	ES100 operator for single door - silver anodized	ES100PF2026	ES anodized lid	EAMPF2366
3200	1500	ES100 operator for single door - silver anodized	ES100PF2028	ES anodized lid	EAMPF2368
3600	1700	ES100 operator for single door - silver anodized	ES100PF2030	ES anodized lid	EAMPF2370
4000	1900	ES100 operator for single door - silver anodized	ES100PF2032	ES anodized lid	EAMPF2372
4400	2100	ES100 operator for single door - silver anodized	ES100PF2034	ES anodized lid	EAMPF2374
5200	2500	ES100 operator for single door - silver anodized	ES100PF2036	ES anodized lid	EAMPF2376
6200	3000	ES100 operator for single door - silver anodized	ES100PF2038	ES anodized lid	EAMPF2378

! T = Automation device width (mm) – LUP = Useful aperture (mm)

ENTRA ES100 - 2 WINGS

230V

*PRODUCT ALSO AVAILABLE
AT 115 VAC

UP TO 100+100KG

T	LUP	Pre-assembled automation	Code		Code
1800	800	ES100 operator for dual door - silver anodized	ES100PF2071	ES anodized lid	EAMPF2361
2200	1000	ES100 operator for dual door - silver anodized	ES100PF2073	ES anodized lid	EAMPF2363
2600	1200	ES100 operator for dual door - silver anodized	ES100PF2075	ES anodized lid	EAMPF2365
3000	1400	ES100 operator for dual door - silver anodized	ES100PF2077	ES anodized lid	EAMPF2367
3400	1600	ES100 operator for dual door - silver anodized	ES100PF2079	ES anodized lid	EAMPF2369
3800	1800	ES100 operator for dual door - silver anodized	ES100PF2081	ES anodized lid	EAMPF2371
4200	2000	ES100 operator for dual door - silver anodized	ES100PF2083	ES anodized lid	EAMPF2373
4800	2300	ES100 operator for dual door - silver anodized	ES100PF2085	ES anodized lid	EAMPF2375
5600	2700	ES100 operator for dual door - silver anodized	ES100PF2087	ES anodized lid	EAMPF2377

! T = Automation device width (mm) – LUP = Useful aperture (mm)

ENTRA ES140 - 1 WING

230V

*PRODUCT ALSO AVAILABLE
AT 115 VAC

UP TO 160KG

109

T	LUP	Pre-assembled automation	Code		Code
1600	700	ES140 operator for single door - silver anodized	ES140PF2120	ES anodized lid	EAMPF2360
2000	900	ES140 operator for single door - silver anodized	ES140PF2122	ES anodized lid	EAMPF2362
2400	1100	ES140 operator for single door - silver anodized	ES140PF2124	ES anodized lid	EAMPF2364
2800	1300	ES140 operator for single door - silver anodized	ES140PF2126	ES anodized lid	EAMPF2366
3200	1500	ES140 operator for single door - silver anodized	ES140PF2128	ES anodized lid	EAMPF2368
3600	1700	ES140 operator for single door - silver anodized	ES140PF2130	ES anodized lid	EAMPF2370
4000	1900	ES140 operator for single door - silver anodized	ES140PF2132	ES anodized lid	EAMPF2372
4400	2100	ES140 operator for single door - silver anodized	ES140PF2134	ES anodized lid	EAMPF2374
5200	2500	ES140 operator for single door - silver anodized	ES140PF2136	ES anodized lid	EAMPF2376
6200	3000	ES140 operator for single door - silver anodized	ES140PF2138	ES anodized lid	EAMPF2378

! T = Automation device width (mm) – LUP = Useful aperture (mm)

ENTRA ES140 - 2 WINGS

230V

*PRODUCT ALSO AVAILABLE
AT 115 VAC

UP TO 140+140KG

T	LUP	Pre-assembled automation	Code		Code
1800	800	ES140 operator for dual door - silver anodized	ES140PF2171	ES anodized lid	EAMPF2361
2200	1000	ES140 operator for dual door - silver anodized	ES140PF2173	ES anodized lid	EAMPF2363
2600	1200	ES140 operator for dual door - silver anodized	ES140PF2175	ES anodized lid	EAMPF2365
3000	1400	ES140 operator for dual door - silver anodized	ES140PF2177	ES anodized lid	EAMPF2367
3400	1600	ES140 operator for dual door - silver anodized	ES140PF2179	ES anodized lid	EAMPF2369
3800	1800	ES140 operator for dual door - silver anodized	ES140PF2181	ES anodized lid	EAMPF2371
4200	2000	ES140 operator for dual door - silver anodized	ES140PF2183	ES anodized lid	EAMPF2373
4800	2300	ES140 operator for dual door - silver anodized	ES140PF2185	ES anodized lid	EAMPF2375
5600	2700	ES140 operator for dual door - silver anodized	ES140PF2187	ES anodized lid	EAMPF2377

! T = Automation device width (mm) – LUP = Useful aperture (mm)



ACCESSORIES



EAPF2565
Backup battery kit with recharger and control card.



EAPF2561
Fail Secure lock with single manual release



EAPF2563
Fail safe lock with single manual release



EAPF2571
Fail Secure lock with dual manual release



EAPF2572
Fail safe lock with dual manual release



EAPF0147
14 mm brush
L = 2,5 m



EAPF0148
20 mm brush
L = 2,5 m



EAPF0149
27 mm brush
L = 2,5 m

EAPF2189
PLUS kit for ES140 – increases single door weight to max 300 Kg or 200+200 Kg for 2 doors)

! If ordered together with the automation, they come pre-assembled!

OTHER ES ACCESSORIES



EAPF2586
Single beam photocells



EAPF3762
DIGIDOOR digital logic selector



EAPF3767
ICON logic selector



EAPF1162 (COLIBRI ONE)
Monodirectional microwave sensor (L80 x W60 x H55 mm)



EAPF1170 (VIO ST)
Active infrared sensor for side safety EN16005



EAPF8709 (VIO DT2)
Dual direction monitored sensor with dual technology EN16005



EAPF8710 (IXIO DT1)
Dual technology monitored unidirectional sensor EN16005 with display



EAPF1167 (IXIO DT3)
Dual technologies sensor active infrared and microwave EN16005 unidirectional. For emergency doors. Performance level "D"

OTHER MECHANICAL ACCESSORIES



EAPF0320N
Sliding door guide, silver anodized
L= 2,5 m



EAPF0370
Floor guide with low-friction insert.
For EAPF03.20 profiles



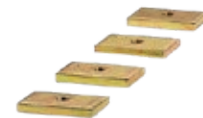
EAPF1201
Floor guide with bearing
of 25 mm



EAPF1202
"U" shaped profile L=2,2 m
to be used with floor guides EAPF12.01
and EAPF12.04

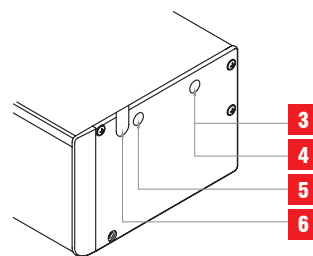
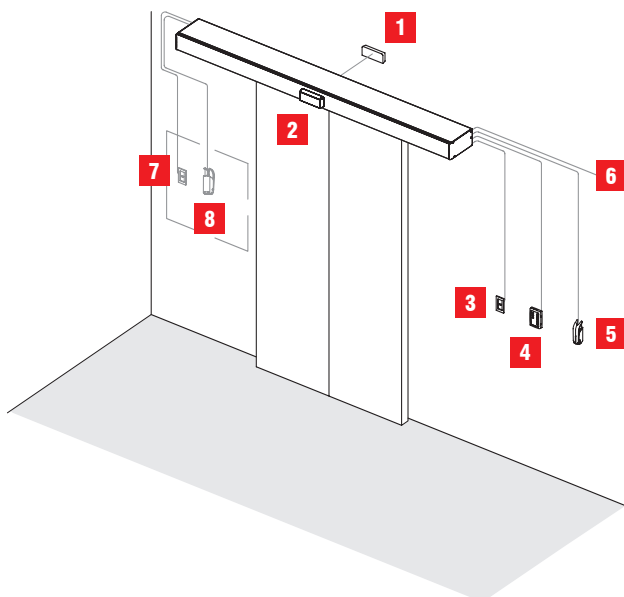


EAPF1215N
Adapter profile for commercial doors
L= 1.6 m - silver anodized.
APF12.17 platelets required



EAPF1217
Plate for commercial profile
adapters EAPF12.15 and
EAPF12.16. Pack of 4 pcs

WIRINGS LAY-OUT



- 1 External radar** Cables supplied
- 2 Internal radar** cables supplied
- 3 Button** 2 x 0.25 mm² cables
- 4 Selector** 4 x 0.25 mm² shielded cables
- 5 Release handle** cables supplied (max length 4.5 m)
- 6 Power supply** 3 x 1.5 mm² cables
- 7 Key contact** 2 x 0.25 mm² cables
- 8 External release handle (*)** Cables supplied (max length 4.5 m)
(* To be placed in an armored box (not supplied))



AUTOMATIC DOORS.

112 ENTRA EB

230V

*PRODUCT ALSO AVAILABLE
AT 115 VAC

UP TO 240KG

The swing door operator is designed to simplify the installation and programming procedure.

The ENTRA EB is equipped with innovative mechanical solutions that guarantee intensive use and a long operating life.

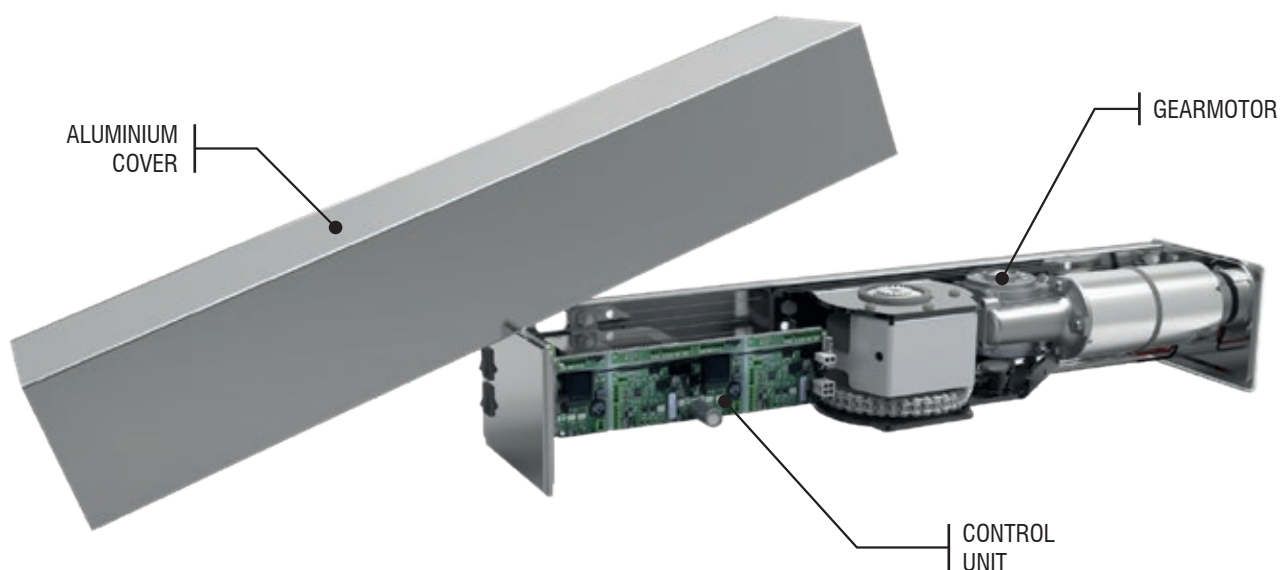
At the heart of the operator is assembled a pioneering transmission, consisting of an excellent quality gear-motor which has been tried and tested with supreme results in other applications, combined with a single reduction stage that is made with a sealed self-lubricating roller chain.

This solution provides long life and a maintenance free product. A mechanical energy accumulator made with a fully tested and state-of-the-art belt spring completes the system.

Special precautions taken during the design phase of the electronic control unit and the switching power supply allow reduced energy consumption when night mode is activated.

Among the features of ENTRA EB: Many different types of electric locks with different power values can be managed, the high-strength harmonic steel spring with a working cycle of over one million complete openings and closings.

The easy set-up and direct programming onto the embedded control unit, The "PUSH & GO" and Interlock function and the standard on-board switches, (ON/OFF) and multi-logic selector.



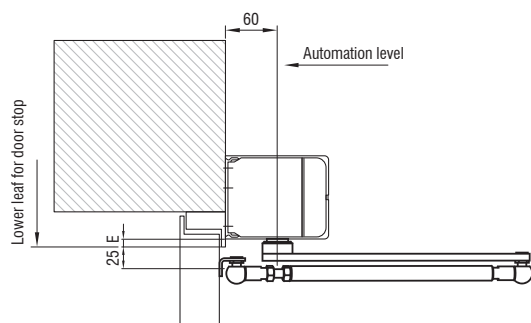
DOWNLOAD
MORE CONTENT

TECHNICAL FEATURES

	EB	EBM	EBMF
Type of use	HEAVY DUTY	HEAVY DUTY	HEAVY DUTY
Power supply	230 V Ac - 50/60 Hz	230 V Ac - 50/60 Hz	230 V Ac - 50/60 Hz
Absorbed power	85 W	85 W	85 W
Accessories power supply	12/24V DC	12/24V DC	12/24V DC
Operating temperature	-10°C + 55° C	-10°C + 55° C	-10°C + 55° C
Protection degree	IP 40	IP 40	IP 40
hight (mm)	95	95	95
Width (mm)	587	587	587
Depth (mm)	120	120	120
Max door width (mm)	1400	1400	1400
Max opening angle	110°	110°	110°
Spring pre-load	-	EN3—EN6	EN3—EN6
Low energy feature	YES	YES	YES
Push & Go	ADJUSTABLE	ADJUSTABLE	ADJUSTABLE
Wind retention	YES	YES	YES
Programmable speed	YES	YES	YES
Weight of the operator	8,5 Kg	9 Kg	9 Kg
Conformity standard	EN16005	EN16005	EN15725.2010

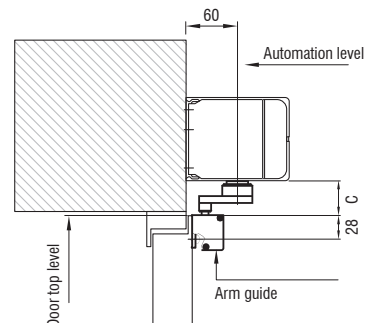
DIMENSIONS

PUSHING ARM



Type of extension	E
L = 30 mm (Supplied and already welded)	12 mm
L = 50 mm	32 mm
L = 70 mm	52 mm
L = 90 mm	72 mm

PULLING ARM



Type of extension	C
L = 30 mm (Supplied and already welded)	42 mm
L = 50 mm	62 mm
L = 70 mm	82 mm
L = 90 mm	102 mm



AUTOMATIC DOORS.

114

ENTRA EB

230V

*PRODUCT ALSO AVAILABLE AT 115 VAC

UP TO 240KG

				Code
ENTRA EB-M	EB-M operator with spring closure	1	40	EBPF3100
ENTRA EB	EB-M operator with motorized closure	1	40	EBPF3101
ENTRA EB-MF	EB-M operator with spring closure for fire doors	1	40	EBPF3108

ACCESSORIES



EAPF3130
Push arm for EB



EAPF3131
Pull arm for EB



EAPF3132
PUSH ARM XL –
Long push arm for wall thicknesses from 150 mm to 300 mm



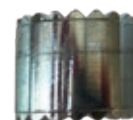
EAPF3762
DIGIDOOR
digital logic selector

EAPF3170
Emergency battery KIT for ENTRA EB

EAPF3171
Central casing; base + lid for double ENTRA EB
L=1 m

EAPF3174
Cable for connection for double Master/Slave
L= 3m

EAPF3133
Arm extension of 50 mm



EAPF1156 (4 SAFE)
350 mm long active infrared sensor for swinging wing movement safety



EAPF1188
FLATSCAN - pair of side sensors (black)



EAPF1194
FLATSCAN DX - single right hand sensor (black)

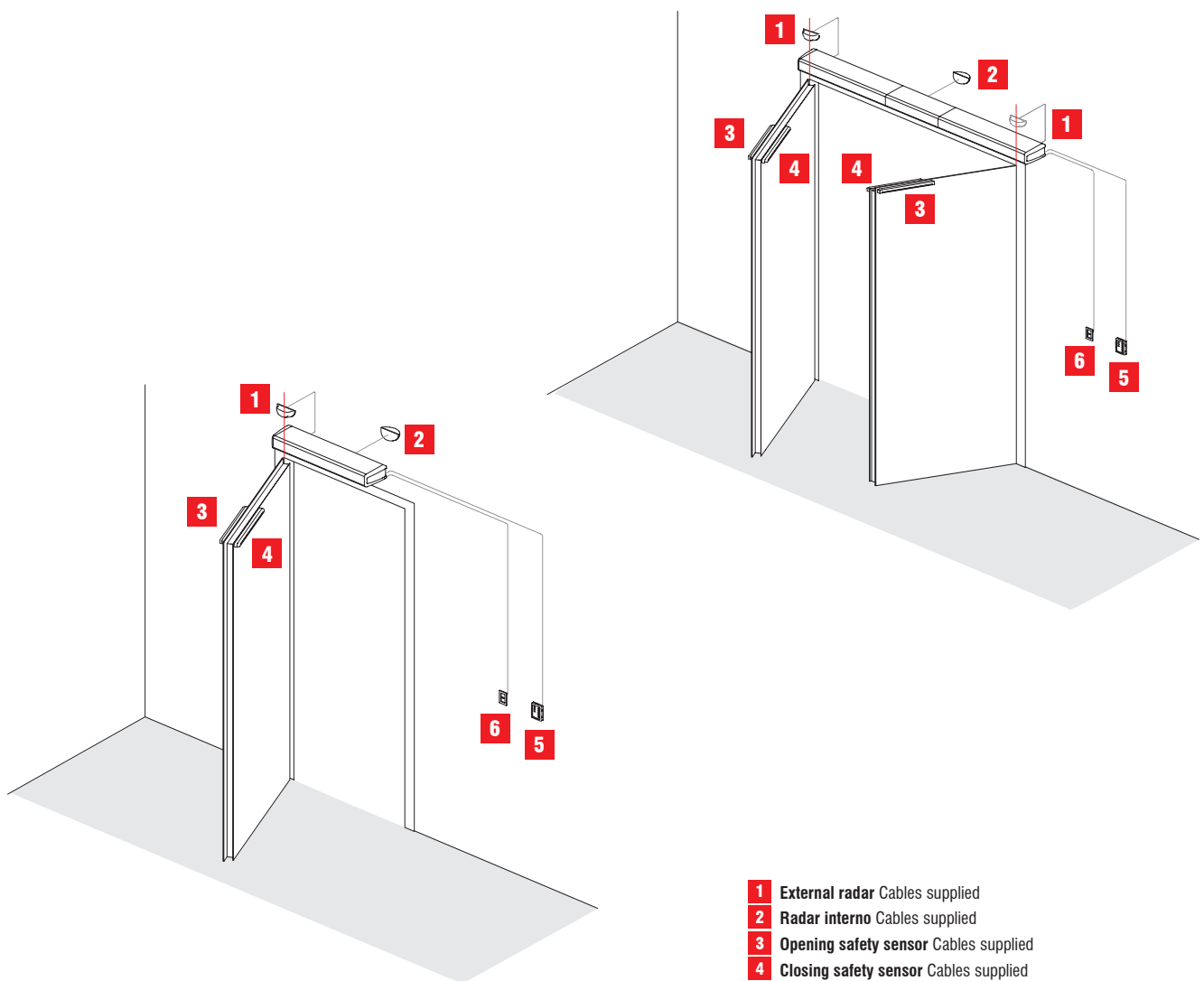


EAPF1195
FLATSCAN SX - single left hand sensor (black)



EAPF1162 (COLIBRI ONE)
One way microwave sensor (L80 x L60 x H55 mm)

WIRINGS LAY-OUT



- 1** External radar Cables supplied
- 2** Radar interno Cables supplied
- 3** Opening safety sensor Cables supplied
- 4** Closing safety sensor Cables supplied
- 5** Selector 4 x 0,25 mm² shielded cables
- 6** Power supply 3 x 1,5 mm² cables

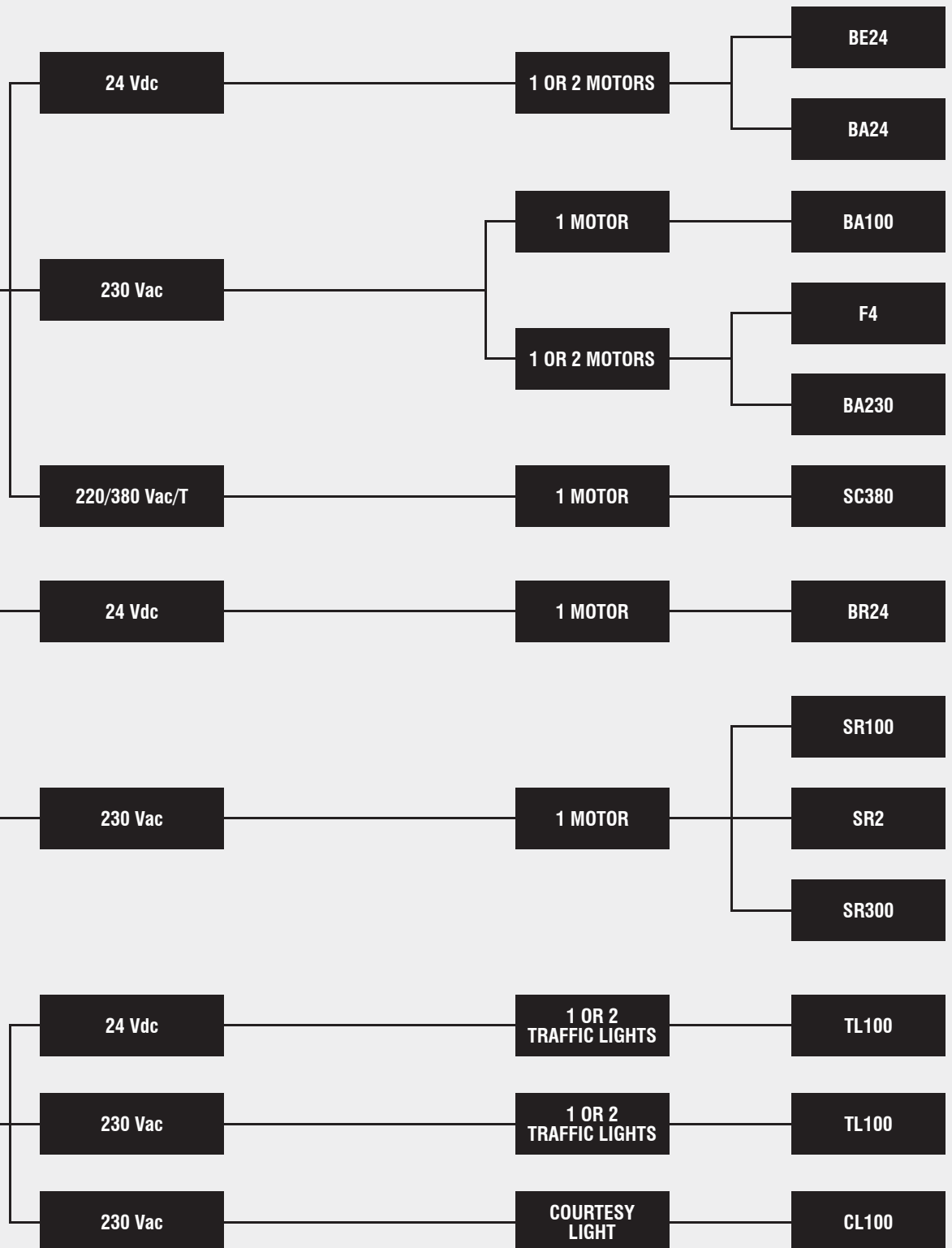


GATES

BARRIERS

ROLLING SHUTTERS

CONTROL





DOWNLOAD
MORE CONTENT

F4 (AS06320)

Control unit for 1 or 2 230 Vac motors, analogic programming, 4 limit switches. Learning times and slowdowns. Suitable for both electromechanical and hydraulic motors.



DOWNLOAD
MORE CONTENT

BA230 (AS05581)

Control unit for 1 or 2 230Vac motors, digital programming, 4 limit switches, double electric lock, separate working time for each motor, slowdowns, separate logic for START and PEDESTRIAN. Suitable for both electromechanical and hydraulic motors.



DOWNLOAD
MORE CONTENT

BA100 (AS05060)

Control unit for 1 motor (2 in parallel) at 230Vac, analogic programming, 2 limit switches, slowdowns. Suitable for both electromechanical and hydraulic motors.



DOWNLOAD
MORE CONTENT

BA24 (AS06300)

Control unit for 1 or 2 24Vdc motors, digital programming, 4 limit switches, double electric lock, separate working time for each motor, slowdowns, anti-crushing, separate logics for START and PEDESTRIAN. Suitable for both electromechanical and hydraulic motors.



DOWNLOAD
MORE CONTENT

TAIMEN (AS06070)

Control unit for digital TAIMEN T6 and T12, complete with LED light and built-in receiver.



DOWNLOAD
MORE CONTENT

BR24 (AS06200)

Control unit for 1 24Vac motor, digital programming, 2 limit switches, slowdowns, anti-crushing, master-slave function, traffic light management and timer management. Dedicated for use with BARR500.



DOWNLOAD
MORE CONTENT

BE24 (AS06250)

BE24G (AS06270) - only for GROUND 634

Control unit for 1 or 2 24Vdc motors, analog programming with self-learning. It works with encoder or timed. Anti-crushing, slowdowns. Built-in radio receiver and battery charger. Suitable for both electromechanical and hydraulic motors.



DOWNLOAD
MORE CONTENT

SE24 (AS05860)

Control unit for 1 24Vdc motor with encoder. Digital programming with graphic display. WIZARD SET-UP, built-in radio receiver. Self-adaptive technology. Slowdowns and anti-crushing. Built-in timer. Event logs. Dedicated for use with SL544.



DOWNLOAD
MORE CONTENT

SC380 (AS05800)

Control unit for 1 single-phase/three-phase 220Vac or three-phase 400Vac motor. Digital programming. Highly reliable hardware with contactors and mechanical line disconnecter. Encoder input for anti-crushing management. Programmable inputs for extreme customization. Suitable for electromechanical and hydraulic motors.



DOWNLOAD
MORE CONTENT

SR302 (433MHz: AS07200 / 868MHz: AS07300)

Control unit for 1 motor at 230Vac. Analog programming. Safety inputs. Built-in radio receiver (433MHz or 868MHz). Dedicated for use with MPS series.



DOWNLOAD
MORE CONTENT

ROAD E (ASROAD-E)

Control unit for max 4 ROAD E series bollards. Digital programming.



DOWNLOAD
MORE CONTENT

TL100 (AS05180)

Control unit for managing the traffic light system. Analog programming. Waiting time management and green light priority change.



DOWNLOAD
MORE CONTENT

SC230E (For PASS600/800/1200/1800: A90984P)
Control unit for 1 230Vac motor with or without encoder.
Analog programming. Slowdowns and anti-crushing.
Dedicated for use with PASS series.



DOWNLOAD
MORE CONTENT

EWSCE110-220BD
MINI BIDIRECTIONAL control unit for awnings and shutters
with built-in radio receiver (MARTIN-BD).



CONTROL UNITS.

122

TECHNICAL FEATURES

	F4	BA230	BA100	BA24	BR24	BE24	SE24
Number of motors	1 - 2	1 - 2	1	1 - 2	1	1 - 2	1
Motors power supply	230 Vac	230 Vac	230 Vac	24 Vdc	24 Vdc	24 Vdc	24 Vdc
Power supply	230 Vac	230 Vac	230 Vac	230 Vac	230 Vac	230 Vac	230 Vac
Swing gates	X	X	X	X		X	
Sliding gates	X	X	X	X			X
Overhead doors	X	X	X	X			
Sectional doors							
Barriers	X	X	X	X	X		
Bollards	X	X	X	X			
Rolling shutters	X	X	X				
Awnings and shutters swing blinds	X	X	X				
Open		X (*)		X (*)	X		
Close		X (*)		X (*)	X		
Start	X	X	X	X	X	X	X
Pedestrian	X	X		X		X	X
Stop	X	X	X	X	X	X	X
Force adjustment	X	X	X	X	X	X	X
Slow downs	X	X	X	X	X	X	X
Anticrushing				X	X	X	X
Safety inputs	X	X	X	X	X	X	X
Photo inputs	X	X	X	X	X	X	X
Limit switches	4	4	2	4	2		
Encoder						X	X
Time logic	X	X	X	X	X	X	
Type of programming	ANALOG	DIGITAL	ANALOG	DIGITAL	DIGITAL	ANALOG	DIGITAL
Self-learning/Learning						X	X
Electric-lock	X	X	X	X		X	
Battery back-up				X	X	X	X
Embedded radio receiver						X	X
IP rating	55	55	55	55	55	55	ND

* Optional from settings

** On PASS operators with encoder only

*** Selectable on safety input

**** embedded feature

	SC380	SR100	SR302	SR2	SC131	SC230E	ROAD E	TAIMEN	MARTIN
	1	1	1	1	1	1	4	1	1
	230 Vac - 230/400 Vac Trifase	230 Vac	230 Vac	230 Vac	230 Vac	230 Vac	230 Vac	24 Vdc	230 Vac
	400Vac/T	230 Vac	230 Vac	230 Vac	230 Vac	230 Vac	230 Vac	230 Vac	230 Vac
	X								
	X				X	X			
	X								
	X							X	
	X								
	X						X		
	X	X	X	X					
				X					X
									X
	X	X	X				X		X
	X	X	X				X		X
	X	X	X	X	X	X	X	X	
	X				X	X		X	
	X	X	X (*)		X	X	X	X	
					X	X	X	X	
					X	X	X	X	
	X (**)					X	X (*)	X	
	X	X	X (*)		X	X	X	X	
	X	X	X	X	X	X	X	X	
	2	X (***)			X (****)	X (****)	X		
	X (**)					X			
	X	X	X	X	X	X	X	X	X
	DIGITAL	ANALOG	ANALOG	ANALOG	ANALOG	ANALOG	DIGITAL	DIGITAL	ANALOG
			X		X	X		X	X
						X (*)			
								X	
		X	X	X	X			X	
	55	55	55	55	ND	ND	55	ND	ND



ACCESSORIES.

124



REMOTE CONTROLS — **MAKO - VINCI** PAGE 126

MANAGER REMOTE CONTROLS — **DTC - DRC** PAGE 128

FLASHLIGHT SYSTEM — **DSL** PAGE 130

PHOTOCELLS - KEY SELECTORS - SUPPORT COLUMNS — **DC** PAGE 132

Ø 60 PHOTOCELLS - Ø 60 KEY SELECTORS - SUPPORT COLUMNS — **DG** PAGE 136

SAFETY DEVICES — **CMK** PAGE 138

OTHER ACCESSORIES — **OTHER ACCESSORIES** PAGE 140



ACCESSORIES.

126 MAKO

Innovative electronics made with the highest technologic standards to always grant reliability, safety and signal power, thanks to the HPA system (High Protection Algorithm)!

Available also with MANAGER electronics for an evolved management of the access, that cannot be cloned! MAKO with MANAGER, the safety binomial.

MAKO: the new way of using the most advanced technology.



VINCI

VINCI is the new 2-channel miniaturized remote control. A size of just 40mm x 12mm for an elegant and lightweight device, only 12gr. That fits comfortably in your pocket, or tied to a key ring or in your handbag!

Equipped with HPA technology, VINCI is also a safe product. It fully complies with the latest regulations in the field of radio frequency.

Thanks to its latest generation electronic board, VINCI is truly high-performance and easy to use.



433 MHZ REMOTE CONTROLS AND RADIO RECEIVERS



MAKO
4 channels rolling code remote control,
with 433 MHz frequency

Pack of 1 pc
Code **AU03100**

Pack of 40 pc
Code **AU04200**



VINCI
Rolling Code Remote Control, 2 channels,
frequency 433 MHz

Pack of 1 pc
Code **AU03300**

Pack of 50 pc
Code **AU03350**



DRS 4334
4 channels stand alone
receiver for containers
model DRR1000, DRR2000
and DSL2000

Pack of 1 pc
Code **AU02810**



DRS 4332
2 channels plug-in
receiver board
for control units

Pack of 1 pc
Code **AU02910**



DRS 4331
Stand alone universal coding
1 channel radio receiver
42x48xH25 mm

Pack of 1 pc
Code **AU02540**



DRS 4335
2 Channels
universal receiver

Pack of 1 pc
Code **AU02570**



DRS 4336
Universal 2-channel receiver –
115-230Vac power supply

Pack of 1 pc
Code **AU02580**

868 MHZ REMOTE CONTROLS AND RADIO RECEIVERS



MAKO
Radiocomando Rolling Code, 4 canali, frequenza 868 MHz

Pack of 1 pc
Code **AU03200**

Pack of 40 pc
Code **AU04300**



DRS 8684
4 channels stand alone
receiver for containers
model DRR1000, DRR2000
and DSL2000

Pack of 1 pc
Code **AU02840**



DRS 8682
2 channels plug-in
receiver board
for control units

Pack of 1 pc
Code **AU02940**



DRS 8681
Stand alone universal coding
1 channel radio receiver
42x48xH25 mm

Pack of 1 pc
Code **AU02530**



128 **MANAGER**

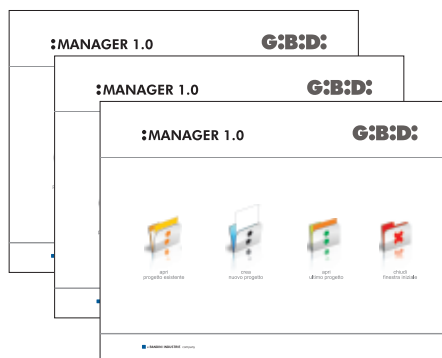
The programmer easy to use that allows the complete management of all the installations made with MANAGER series devices.

The possibility to manage the system by PC makes it easy to use and flexible.

The solution offered by GIBIDI to all customers who want to make the installation their own domain.

The system programming is done in WIRELESS technology.

MANAGER allows the user to program transmitting and receiving devices both at radio frequency and at transponder and to manage functionality, customization, authorisation, modification and also the innovatory system anti-cloning always in safety modality (ROLLING-CODE).



433 MHZ REMOTE CONTROLS



MAKO

4 channels rolling code remote control, with 433 MHz frequency

Pack of 1 pc
Code **AU03100**

Pack of 40 pc
Code **AU04200**

433 MHZ RADIO RECEIVERS



DRC 4334

4 channels stand alone receiver for containers model DRR1000, DRR2000 and DSL2000

Pack of 1 pc
Code **AU02820**



DRC 4332

2 channels plug-in receiver board for control units

Pack of 1 pc
Code **AU02930**

PROGRAMMER



MANAGER

Programming handheld that allows complete management of all the installations made with the MANAGER series devices

Pack of 1 pc
Code **AS05150**

ACCESSORIES



DCT 200
TRANSPONDER
(rolling code)
transmission device

Pack of 20 pc
Code **AU03030**



DCT 300
TRANSPONDER
(fix code)
transmission device

Pack of 20 pc
Code **AU03035**



DCT 400
TRANSPONDER
(fix code) card
transmission device

Pack of 20 pc
Code **AU03070**



DCX 100
TRANSPONDER
receiver for
DCT100-200-300-400

Pack of 1 pc
Code **AU05000**



ACCESSORIES.

130 DSL

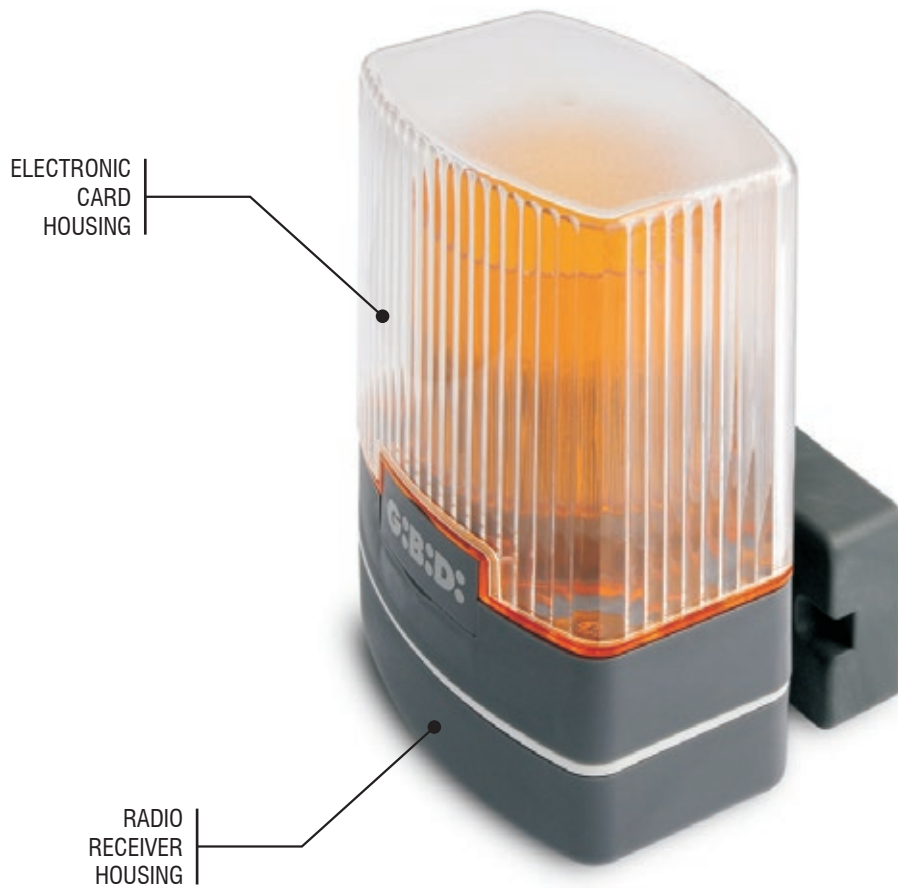
Yet another joy of modern technology and intelligent design applied to a flashlight.

Thanks to its modularity and extremely easy installation, the radio receiver and antenna are quickly integrated into one single product.

All you have to do is choose the type of flashlight and your product is complete.

If you decide to use the built-in radio receiver, you can store the transmitters simply by using the controls on the case.

DSL: the new hallmark of your automatic gate.





DSL70750
Complete flashing
lamp device
12-24-115-230V

Code **70750**



DRR1000
External IP55 housing
for receiver boards

Code **AU02800**



DRR2000
Receiver boards housing
(not IP proof)

Code **AU02600**

ACCESSORIES



AU2750
LED spare flashing lamp card
(12-24-115-230V)



70187
433 MHz antenna
with 4 m cable

INSTALLATION LAY-OUT



WALL-MOUNTED



ROTATING BASE



PILLAR-MOUNTED



ACCESSORIES.

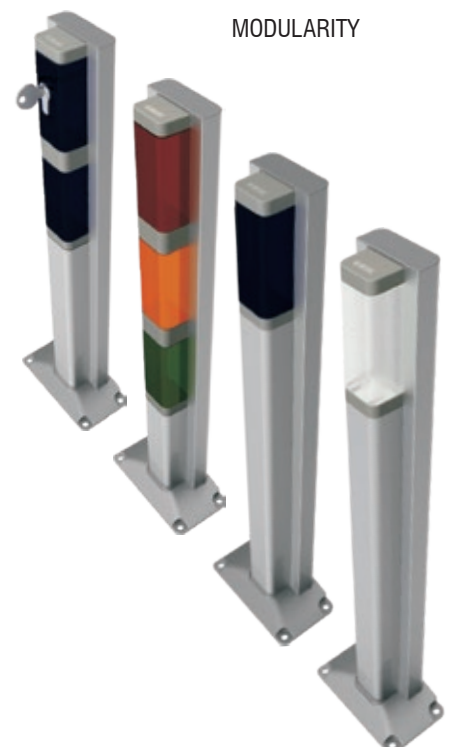
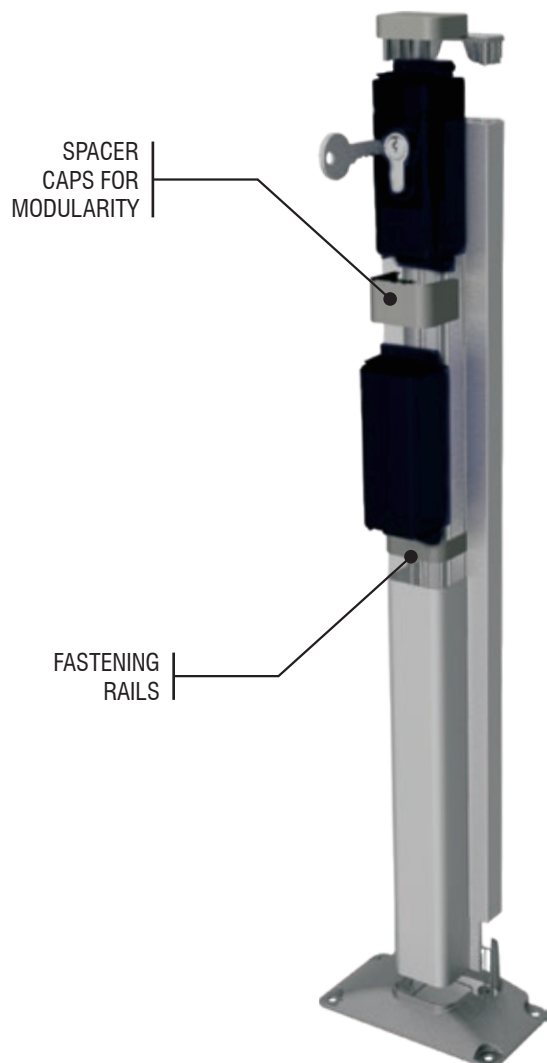
132 DC

The new range of GIBIDI accessories, posts, photocells and wall-mounted key selectors.

A range designed to be adaptable to any kind of installation or aesthetic requirement, a patented system that includes technology, design and easy installation.

A modular system that allows easy setting up and maintenance.

The perfect solution to complete your automatic entrance.





DCF180
Pair of synchronized photocells,
180° rotation (12/24Vdc-ac)
max range 30 m • IP54

Pack of 1 pc
Code **AU02250**



DCF180D
Pair of synchronized digital photocells
(max synch. 16 pairs),
180° rotation (12/24Vdc-ac)
max range 30 m • IP54

Pack of 1 pc
Code **AU02010**



DCF180DB
Pair of synchronized digital photocells
with battery powered transmitter
(batteries included), 180° rotation
(12/24Vdc-ac) max range 20 m • IP54

Pack of 1 pc
Code **AU02020**



DCS100
Wall-mounted key selector
with 3 keys • IP54

Pack of 1 pc
Code **AU01940**



DCS200
Wall-mounted key selector
with Led light point with 3 keys • IP54

Pack of 1 pc
Code **AU01950**



DCS300
Wall-mounted wireless key selector
with 3 keys • IP54

Pack of 1 pc
Code **AU01960**



DCD300
Keypad with card reader, vandal-proof,
surface-mounted, IP66, 2 relays, 999 codes
/ keys, 12-28 Vac-dc with 2m cable

Pack of 1 pc
Codice **AU02201B**



AU03071
User card for DCD300

Pack of 1 pc
Code **AU03071**



AU03072
User tag for DCD300

Pack of 1 pc
Code **AU03072**



ACCESSORIES.

134

DC



DCX100

TRANSPONDER receiver for DCT100-200-300-400. working distance 0 ÷ 20 mm at 125 KHz. Radio transmission on 433 MHz. Power supply 12/24 Vdc-ac. It can be customized with MANAGER technology IP54

Pack of 1 pc
Code **AU05000**



DCD100

Keypad for the activation up to 9 channels and 1000 customized codes. Radio transmission on 433 MHz. Power supply 12/24 Vdc-ac or 7,2 V battery. It can be customized with the MANAGER technology IP54

Pack of 1 pc
Code **AU02100**



DCT 100

TRANSPONDER (rolling code) transmission device. Enabling frequency 125 KHz. It can be customized with the MANAGER technology

Pack of 20 pc
Code **AU03040**



DCT 200

TRANSPONDER (rolling code) transmission device. Enabling frequency 125 KHz. It can be customized with the MANAGER technology

Pack of 20 pc
Code **AU03030**



DCT 300

TRANSPONDER (fix code) transmission device. Enabling frequency 125 KHz. It can be customized with the MANAGER technology

Pack of 20 pc
Code **AU03035**



DCT 400

TRANSPONDER (fix code) card transmission device. Enabling frequency 125 KHz. It can be customized with the MANAGER technology

Pack of 20 pc
Code **AU03070**



DTC 600

TRANSPONDER KEY RING transmission device (Fix code). Enabling frequency 125 KHz

Pack of 1 pc
Code **AU03074**



DCL100
YELLOW LED light 24 Vdc-ac.
IP54 (can be used as flashlight
system)

Pack of 1 pc
Code **AU02050**



DCL200
RED LED light 24 Vdc-ac.
IP54

Pack of 1 pc
Code **AU02060**



DCL300
GREEN LED light 24 Vdc-ac.
IP54

Pack of 1 pc
Code **AU02070**



DCL400
WHITE courtesy LED light
24 Vdc-ac. • IP54

Pack of 1 pc
Code **AU02090**



DCA110-1
Aluminium column H110 cm
for a single DCF,DCS
or DCL device

Pack of 2 pc
Code **70400**



DCA110-2
Aluminium column H110 cm
for a double DCF,DCS
or DCL device

Pack of 2 pc
Code **70410**



DCA055-1
Aluminium column H55 cm
for a single DCF or DCL device

Pack of 2 pc
Code **70420**



TLED
TLED Ø124 mm traffic light

Pack of 1 pc
Code **AU02096**
24 V traffic light

Pack of 1 pc
Code **AU02097**
230 V traffic light



ACCESSORIES.

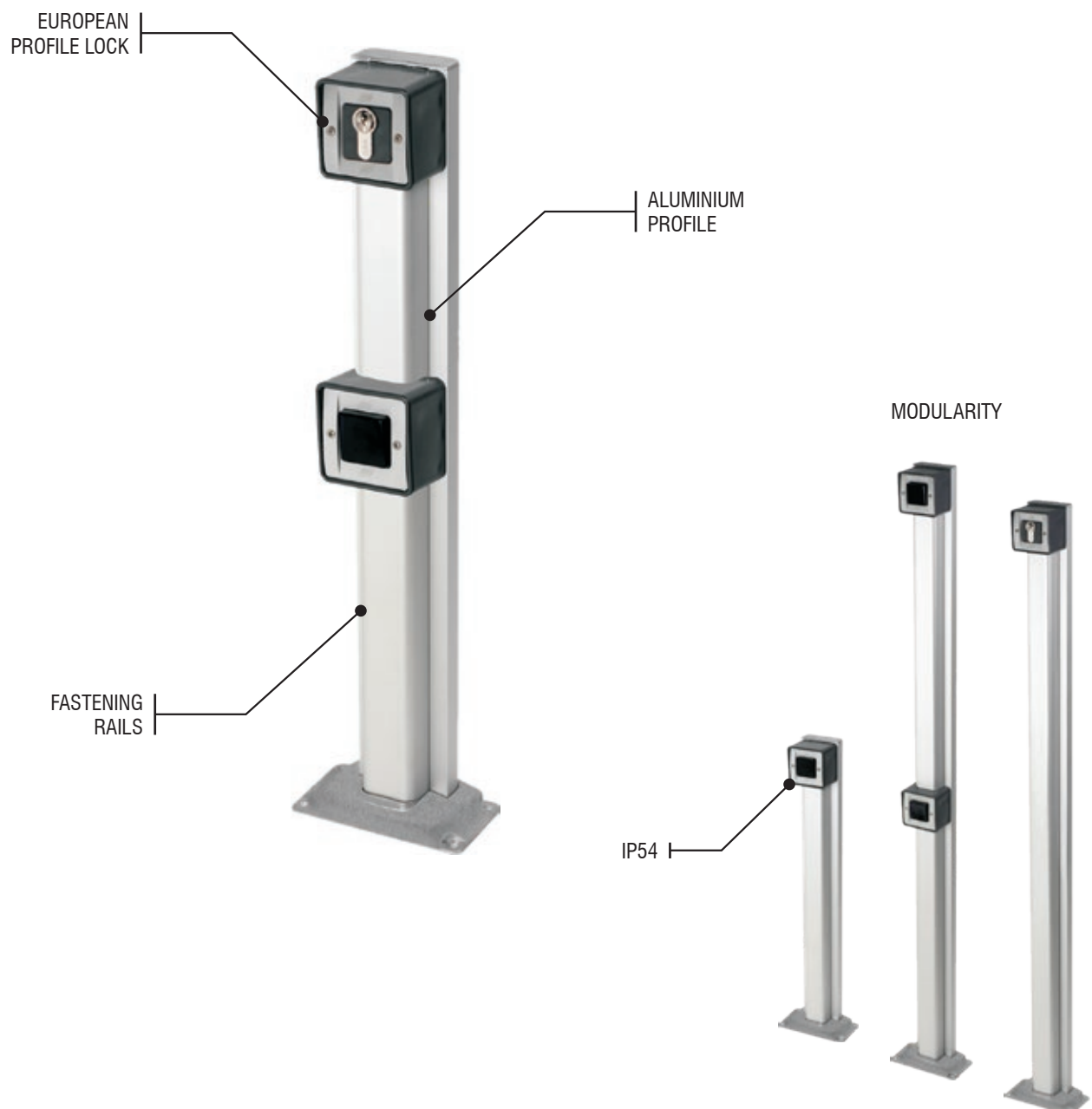
136 DG

The range of GIBIDI accessories, posts, photocells and built-in or wall-mounted selectors.

A range that can be adapted to any kind of installation requirement, that includes technology and ease of installation.

A modular system that allows easy setting up and maintenance.

Another solution to complete your automatic entrance.





DGF100
Pair of Ø60 built-in photocells
(12/24 Vdc-ac). Maximum range
30 m • IP54

Pack of 1 pc
Code **AU02260**



DGF200
Pair of Ø60 wall-mounted photocells
(12/24 Vdc-ac). Maximum range
30 m • IP54

Pack of 1 pc
Code **AU02270**



DGS200
Ø 60 wall-mounted key selector
with european profile lock
+ 3 keys • IP54

Pack of 1 pc
Code **AU01930**



DGA110-1
Aluminium column H110 cm
for a single DGF or DGS device

Pack of 2 pc
Code **70300**



DGA110-2
Aluminium column H110 cm
for a double DGF or DGS device

Pack of 2 pc
Code **70310**



DGA055-1
Aluminium column H55 cm
for a single DGF device

Pack of 2 pc
Code **70320**



Galvanised case to be built-in or welded
for DGS or DGF devices

Pack of 1 pc
Code **70176**



8K2 CERTIFIED EN 12978 ASSEMBLED SAFETY EDGES



- CM100K8** 8K2 safety edge 1 m
- CM150K8** 8K2 safety edge 1,5 m
- CM170K8** 8K2 safety edge 1,7 m
- CM200K8** 8K2 safety edge 2 m
- CM250K8** 8K2 safety edge 2,5 m

MECHANICAL RUBBER SAFETY EDGES



- CM100M** Mechanical rubber safety edge 1 m
- CM150M** Mechanical rubber safety edge 1,5 m
- CM170M** Mechanical rubber safety edge 1,7 m
- CM200M** Mechanical rubber safety edge 2 m
- CM250M** Mechanical rubber safety edge 2,5 m

TO BE ASSEMBLED EDGES

SCMK
Rubber and aluminium edge profile
(price per m.)

SCMK200
Set for CMK terminal end-caps max 2 m

SCMK400
Set for CMK terminal end-caps max 4 m

CONTROL CARDS



SAFE24
Control card for edges 2/4 ch



RB3T868
Radio transmitter for safety edges
Freq. 868MHz



RB3R868
Radio Receiver for safety edges
Freq. 868MHz

8K2 NO TOUCH CAP ACTIVE SAFETY EDGES



8K2 SAFETY EDGES

With 868 MHz frequency transmitter

- CM100K8NT** Safety edge with NO TOUCH transmitter 868 MHz L= 1 m
- CM150K8NT** Safety edge with NO TOUCH transmitter 868 MHz L= 1,5 m
- CM170K8NT** Safety edge with NO TOUCH transmitter 868 MHz L= 1,7 m
- CM200K8NT** Safety edge with NO TOUCH transmitter 868 MHz L= 2 m
- CM250K8NT** Safety edge with NO TOUCH transmitter 868 MHz L= 2,5 m



CAPT868
CAPTIVE transmitter for external use
868 MHz frequency

CAPR868
CAPTIVE receiver for external use
868 MHz frequency

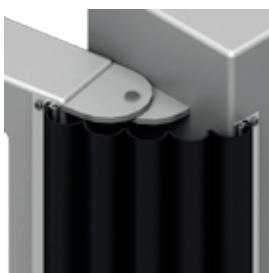
AW11290*
NO TOUCH inhibition
magnet KIT

* Only necessary if you want to have the NO TOUCH function with CAP ACTIVE edges



140 ACCESSORIES

GATE FINGER PROTECT



KBP05
Hand protection edge kit L = 5 m



KBP10
Hand protection edge kit L = 10 m

ACCESSORIES



AS05900
24 Vdc metallic
mass detector



AS05910
230 Vac metallic
mass detector



AJ00632
12 V electric lock with lock
+ key - counter plate not included



AJ00642
24 V electric lock with lock
+key- counter plate not included



AJ70164
Counterbushing
for horizontal mounting



AJ70163
Ground plate for
vertical mounting



AJ00862
Left/right leaf lock



AJ75800
Gate warning plate







**CUT-OFF PRODUCTS
FOR THE SHOW ROOM**

**PAGE
144**

**PRODUCTS
FOR THE SHOW-ROOM**

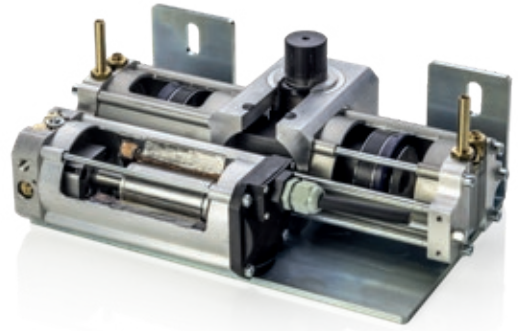
**PAGE
145**



CUT-OFF PRODUCTS FOR THE SHOW ROOM



SERRA DEMO



FLOOR DEMO



PASS600 DEMO



PASS1200 DEMO



SL544 DEMO



GROUND DEMO

**Enforcement field**

These general conditions discipline all the present and future sales contracts between the parties, except possible dispensations agreed in writing in detail. Possible general conditions of the purchaser will not find enforcement to the future relationships between the parties if they are not accepted explicitly in writing. The acceptance on behalf of the purchaser of GI.BI.DI. offer or order confirmation, no matter how done, implies the enforcement of these general conditions to the sales contract.

The offers done by GI.BI.DI. agents and trade auxiliaries are not binding until they are confirmed by the same company.

Prices and payments (Export)

It is understood that the listed prices are ex works, including packaging, except single orders for amounts less than Euro 1.600,00 will be charged of a fixed cost of Euro 80,00, debited in the invoice. GI.BI.DI. reserve the right to modify his own price list at any time giving communication to the purchaser. The prices have to be understood without VAT.

GI.BI.DI. have right - starting from payment's expiry, without necessity of meeting with arrears - to the arrears interests in accordance with the interest tax imposed by E.C.B. to its main refinancing operations, increased by 8 percentage points. In case of delays in payments, GI.BI.DI. have right, besides the remedy above mentioned, to suspend the supplies in progress until outstanding payments' punctual fulfilment. The purchaser has no right to suspend payments, not even in case of objections referring to supplied products.

If the payment has to be done - completely or partially - after the delivery, products continue to belong to GI.BI.DI. until the moment of price's complete payment.

Orders and deliveries

The orders will be accepted, by order confirmation, only if sent in writing. Delivery terms are understood indicative in favour of GI.BI.DI. and however with an adequate margin of tolerance. Any responsibility of GI.BI.DI. is excluded for consequential damages deriving from advanced or delayed delivery, total or partial.

Guarantee

GI.BI.DI. guarantee the performances of its own manufacturing products only and exclusively with regard to uses, destinations, applications, etc. explicitly indicated. The guarantee is intended to be applied only to GI.BI.DI. components and thus not to the whole project or installation in which they are included. Any other use has to be considered improper and therefore dangerous. In the case the purchaser intends products above mentioned to sale, it will be his own burden and responsibility to let know to his buyers the indications in object.

This guarantee, in commercial relationships or in case of good's sale for professional use, is given in compliance with art. 1512 CC and is restricted to the repair or replacement of the component recognized as defective because of design, material or manufacture defect, referable to GIBIDI, within 24 months from the date of sale or installation, as long as it is duly certified from a valid fiscal document (invoice or receipt note with Transport Document), indicating the data of the products installed (code, series number, etc...). In the absence of these sales documents, GIBIDI will recognize the guarantee of 30 months starting from the production date, excluded the defects deriving from tampering.

Except faults deriving from tampering or facts caused by the same purchaser as wrong installation, modifications or reparations made without GI.BI.DI. authorizations, use, maintenance or conservation not correct.

Possible reparations / substitutions do not extend guarantee's duration. You must consider excluded from guarantee the use of control board equipments and/or control and safety accessories not made by GI.BI.DI., feeding tension's irregularities, use different from what expected or any other cause that cannot be ascribed to GI.BI.DI. These faults' verification lies exclusively within the competence of GI.BI.DI. technicians. Except GI.BI.DI. malice or heavy fault, this one is not answerable for direct, indirect and/or consequential damages deriving to the purchaser from end products (as, for instance, damages for non - use of supplied goods, on behalf of the purchaser and/or the end user).

The guarantee above mentioned takes up and substitutes law guarantees for irregularities and conformities, and excludes any other possible G.I.B.I.D.I. responsibility anyway caused by supplied goods; in particular the purchaser will not be able to claim compensation for damage, price reduction or contract resolution.

The purchaser loses guarantee right if he is in order with payments. Possible claims will have to be made in writing, at expiry penalty, within a maximum term of 8 days from products' receiving date for quality faults or not conformity that the purchaser could note as soon as he receives goods; within 8 days from the discovery of hidden faults or not conformity. When the guarantee is expired, you will be not able to put forward a claim towards G.I.B.I.D.I. Goods shall be forwarded to G.I.B.I.D.I. with transport cost charged to the purchaser and they will send back ex-works

Warnings

The safety and reliability of the systems is warranties by the integral use of G.I.B.I.D.I. components and by observing good working practices and the laws in force. We therefore decline any responsibility due to a lack of respect for these conditions. G.I.B.I.D.I. is not responsible for failure to observe good working practice in the fabrication of the frames to automate and their possible alteration due to use. G.I.B.I.D.I. production must be solely destined to the use for which it was designed. Any other use is therefore considered to be improper and therefore dangerous. G.I.B.I.D.I. reserves the right to modify the technical data without prior notice depending on the product development.

Applicable law - Judiciary concerned

All contracts disciplined by the present general conditions are regulated by Italian Law. For every dispute concerning or anyway connected to the contracts to which the present general conditions are applied G.I.B.I.D.I. Judiciary is exclusively concerned; however the last one will have authority to act at the purchaser Judiciary.





GET IN TOUCH WITH US

	phone	fax	e-mail
Reception	+39.0386.522011	+39.0386.522031	info@gibidi.com
Italy's Sales Department	+39.0386.522011	+39.0386.522031	comm03@gibidi.com
Export Sales Department	+39.0386.522052	+39.0386.522031	comm02@gibidi.com

FOLLOW US ON





CREATIVE AUTOMATIONS

GIBIDI HEADQUARTERS:**ITALIA**

Via Abetone Brennero, 177/B
46025 Poggio Rusco (MN) - ITALY
Tel. +39.0386.52.20.11
Fax +39.0386.52.20.31
info@gibidi.com
www.gibidi.com

BRANCHES:**UNITED KINGDOM**

GIBIDI UK LTD
Unit 5, Spelmonden Farm, Spelmonden Road
Goudhurst TN17 1HD
Tel: +44 1580 238660
info@gibidi-uk.com
www.gibidi-uk.com

BENELUX

GIBIDI BNL NV
Hoeikensstraat 5,
2830 Willebroek - Belgium
Tel: +32 3 846 05 25
info@gibidi-bnl.be
www.gibidi-bnl.be