



GARAGE DOOR SYSTEMS.

G:B:D:
CREATIVE AUTOMATIONS

TAIMEN

24V

*PRODUCT ALSO AVAILABLE
AT 115 VAC





TAIMEN

24V *PRODUCT ALSO AVAILABLE AT 115 VAC

Automated drive unit in 24Vdc for overhead and sectional doors, of little and medium dimensions, for residential use.

EASY TO INSTALL

Thanks to the pre-assembled motor guide and the fixing system completely adjustable. Moreover the self-learning procedure makes easier the system programming.

SILENT AND FAST

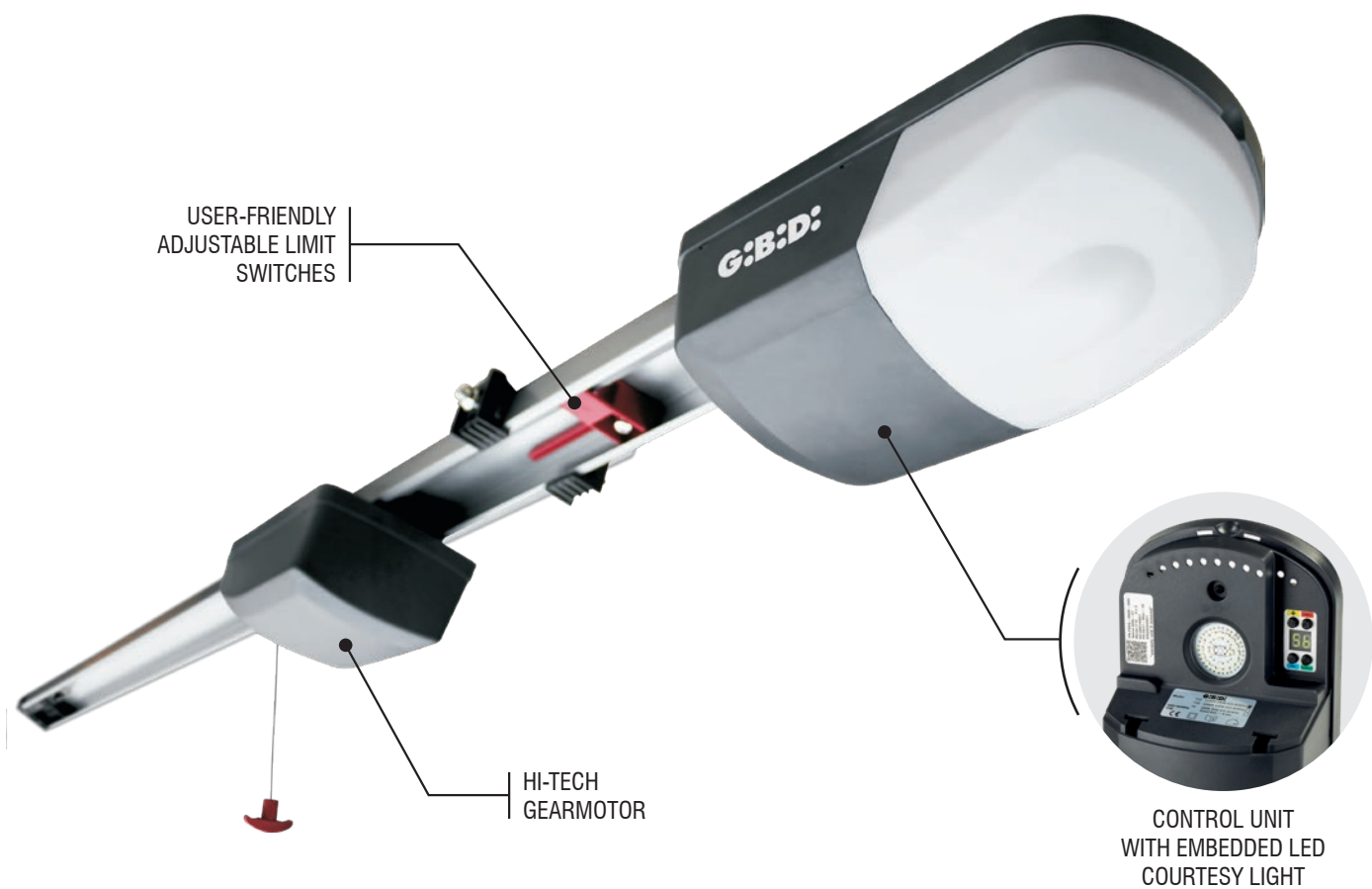
Really silent thank to the translating motor and the use of high quality materials.

TECHNOLOGICAL AND SAFE

TAIMEN, with the new digital control unit, is really forefront. Moreover is provided with the adaptive anti-crushing system and it is possible to connect some safety devices, as established by EN12453 standards. The unlocking device is easy to use and allows closing the door, even in the absence of current, and locking it again.

A COMPLETE AND RELIABLE RANGE

TAIMEN can be provided with the optional battery kit for the emergency opening in case of power cut. Brackets and screws completely painted to keep unchanged the aesthetics of the system for a long time.



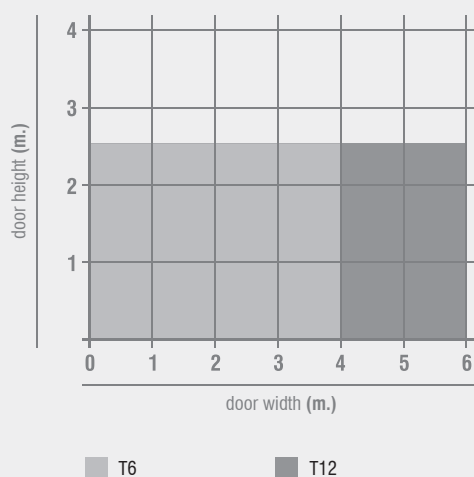
DOWNLOAD
MORE CONTENT



TECHNICAL FEATURES

	TAIMEN T6	TAIMEN T12
Type of use	RESIDENTIAL	RESIDENTIAL
Frequency of use	30%	30%
Motor power supply	24 Vdc	24 Vdc
Absorbed power	80W	140W
Protection degree	IP20	IP20
Max thrust force	600 N	1200 N
Adjustable thrust	ELECTRONIC	ELECTRONIC
Adjustable speed	YES	YES
Max door surface	10 sm	15 sm
Max door height (standard rail)	2,5 M	2,5 M
Operating temperature	-20°C + 60°C	-20°C + 60°C
On board courtesy light	YES with LED	YES with LED
Door speed	adjustable max 125 mm/sec	adjustable max 125 mm/sec
Soft start/stop	YES	YES

APPLICATION DIAGRAM



DIMENSIONS

