



SYSTEMS FOR SUN AWNINGS  
AND SHUTTERS.

**G:B:D**  
CREATIVE AUTOMATIONS

RUNNER RE - RE-B

230V \*PRODUCT ALSO AVAILABLE  
AT 115 VAC





## SYSTEMS FOR SUN AWNINGS AND SHUTTERS.

**G:B:D:**  
CREATIVE AUTOMATIONS

### RUNNER RE - RE-B

**230V** \*PRODUCT ALSO AVAILABLE  
AT 115 VAC

The RUNNER RE range of BIDIRECTIONAL electronics radio controlled motors is suitable for residential and commercial use.

Available in diameters 35-45-55 and with powers ranging from 6 Nm to 120 Nm.

RUNNER RE can satisfy any specific need to get curtains and shutters automated. The integrated radio receiver allows the programming and management of the operator by the mean of a remote control.

The RUNNER RE-B range of motors is ideal for indoor roller blinds, both in residential and commercial settings.

Available in 25-28-35mm diameter and with powers ranging from 1.1Nm to 3Nm, RUNNER RE-B can satisfy every specific need.

The RUNNER RE-B motor is equipped with an internal battery and therefore no need for power supply. A solar panel or a power supply unit can power it.

#### BASIC TECHNICAL DATA

- Easy installation and programming
- Limit switch adjustment directly from the remote control
- Internal receiver 433.92 Mhz
- 3 intermediate limit switches (RE), there are 5 for RE-B
- Head with central hole Ø 12mm for mounting in the monobloc drawer (RE)
- Connection cable 2 m long
- For axles Ø 40, 43, 50, 56, 60, 70 and 78 mm (shaft Ø 43 for RE-B)
- Equipped with button output
- Compatible with the entire range of FREE DOMUS radio remote controls and home automation.
- Compatible with the main home automation protocols and systems on the market
- Soft START and Soft STOP for RE-B
- About 1,600 manoeuvres with one charge per RE-B



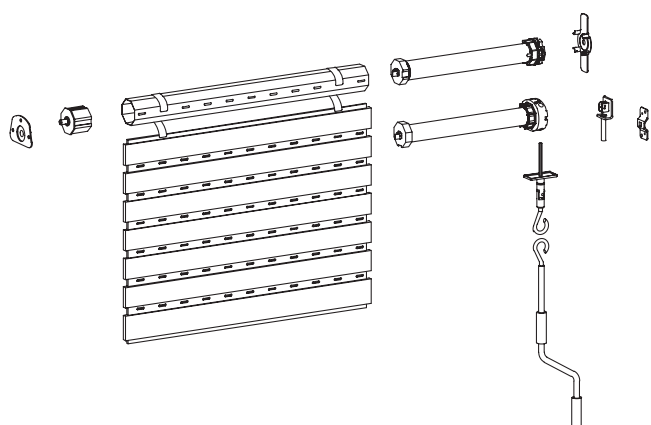
DOWNLOAD  
MORE CONTENT



TECHNICAL FEATURES

RUNNER	Nominal torque	Nominal speed	Pipe diameter	Power supply	Absorbed power	Max n° of revolutions	IP protection degree	Radio receiver freq.
RE-B D25	1,1 Nm	40 Rpm	25 mm	12V	10 W	No limits	IP44	433,92 Mhz
RE-B D28	2 Nm	29 Rpm	28 mm	12V	13 W	No limits	IP44	433,92 Mhz
RE-B D35	3 Nm	28 Rpm	35 mm	12V	16 W	No limits	IP44	433,92 Mhz
RE35 6/28	6 Nm	28 Rpm	35 mm	230vac 50Hz	121 W	32	IP44	433,92 Mhz
RE35 10/17	10 Nm	17 Rpm	35 mm	230vac 50Hz	121 W	32	IP44	433,92 Mhz
RE45 10/26	10 Nm	26 Rpm	45 mm	230vac 50Hz	145 W	No limits	IP44	433,92 Mhz
RE45 20/17	20 Nm	17 Rpm	45 mm	230vac 50Hz	145 W	No limits	IP44	433,92 Mhz
RE45 30/17	30 Nm	17 Rpm	45 mm	230vac 50Hz	191 W	No limits	IP44	433,92 Mhz
RE45 50/12	50 Nm	12 Rpm	45 mm	230vac 50Hz	205 W	No limits	IP44	433,92 Mhz
RE55 80/12	80 Nm	12 Rpm	55 mm	230vac 50Hz	385 W	22	IP44	433,92 Mhz
RE55 100/12	100 Nm	10 Rpm	55 mm	230vac 50Hz	420 W	22	IP44	433,92 Mhz
RE55 120/9	120 Nm	9 Rpm	55 mm	230vac 50Hz	385 W	22	IP44	433,92 Mhz

PRACTICAL SHUTTERS LAY-OUT



PRACTICAL SUN AWNINGS LAY-OUT

