



SYSTEMS FOR SUN AWNINGS
AND SHUTTERS.

G:B:D:
CREATIVE AUTOMATIONS

RUNNER M - RM

230V *PRODUCT ALSO AVAILABLE
AT 115 VAC





RUNNER M - RM

230V *PRODUCT ALSO AVAILABLE
AT 115 VAC

The range of M and RM series motors (BIDIRECTIONAL Radio Mechanical) is suitable for residential and commercial use.

Available in diameters 35-45-55 and with powers ranging from 6 Nm to 120 Nm.

RUNNER RM can satisfy every specific need to get curtains and shutters automated. The integrated radio receiver allows the operator programming and management by means of a remote control.

BASIC TECHNICAL DATA

- Easy installation and programming
- Mechanical limit switch with progressive adjustment
- Limit switch adjustment directly from the remote control (RM series)
- Internal receiver 433.92 Mhz (RM series)
- Head with central hole Ø 12 mm for mounting in the monobloc drawer
- 2 m long connection cable
- For axles Ø 40, 43, 50, 56, 60, 70 and 78 mm
- Equipped with button output (RM series)
- Compatible with a wide range of GIBIDI automation (M series)
- Compatible with the entire range of FREE DOMUS radio remote controls and home automation (RM series)
- Version with emergency maneuver available



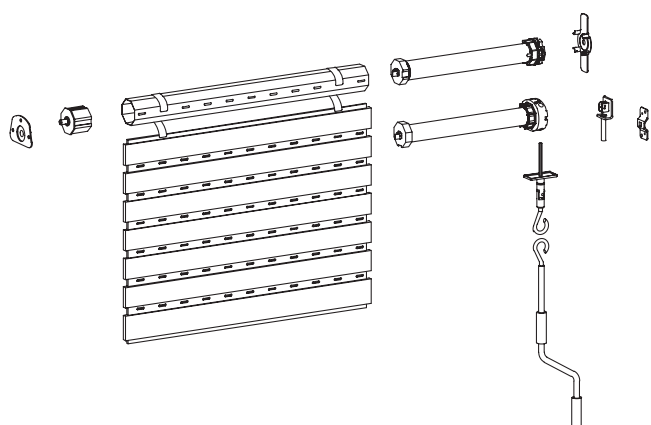
DOWNLOAD
MORE CONTENT



TECHNICAL FEATURES

RUNNER	Nominal torque	Nominal speed	Pipe diameter	Power supply	Absorbed power	Max n° of revolutions	IP protection degree	Radio receiver freq.
M35 6/28	6 Nm	28 Rpm	35 mm	230vac 50Hz	121 W	30	IP44	/
M35 10/17	10 Nm	17 Rpm	35 mm	230vac 50Hz	121 W	30	IP44	/
M45 10/26	10 Nm	26 Rpm	45 mm	230vac 50Hz	145 W	23	IP44	/
M45 20/17	20 Nm	17 Rpm	45 mm	230vac 50Hz	145 W	23	IP44	/
M45 30/17	30 Nm	17 Rpm	45 mm	230vac 50Hz	191 W	23	IP44	/
M45 50/12	50 Nm	12 Rpm	45 mm	230vac 50Hz	205 W	23	IP44	/
M55 80/12	80 Nm	12 Rpm	55 mm	230vac 50Hz	385 W	22	IP44	/
M55 100/10	100 Nm	10 Rpm	55 mm	230vac 50Hz	420 W	22	IP44	/
M55 120/9	120 Nm	9 Rpm	55 mm	230vac 50Hz	420 W	22	IP44	/
SOS45 30/15	30 Nm	17 Rpm	45 mm	230vac 50Hz	191 W	22	IP44	/
SOS45 50/12	50 Nm	12 Rpm	45 mm	230vac 50Hz	205 W	22	IP44	/
SOS59 80/12	80 Nm	12 Rpm	59 mm	230vac 50Hz	385 W	22	IP44	/
SOS59 100/12	100 Nm	10 Rpm	59 mm	230vac 50Hz	420 W	22	IP44	/
SOS59 120/9	120 Nm	9 Rpm	59 mm	230vac 50Hz	420 W	22	IP44	/
RM45 20/17	20 Nm	17 Rpm	45 mm	230vac 50Hz	145 W	23	IP44	433,92 Mhz
RM45 30/17	30 Nm	17 Rpm	45 mm	230vac 50Hz	145 W	23	IP44	433,92 Mhz
RM45 50/12	50 Nm	12 Rpm	45 mm	230vac 50Hz	191 W	23	IP44	433,92 Mhz
RM55 120/9	120 Nm	9 Rpm	55 mm	230vac 50Hz	396 W	22	IP44	433,92 Mhz
SOS RM45 50/12	50 Nm	12 Rpm	45 mm	230vac 50Hz	191 W	23	IP44	433,92 Mhz
SOS RM59 100/10	100 Nm	10 Rpm	59 mm	230vac 50Hz	420 W	22	IP44	433,92 Mhz

PRACTICAL SHUTTERS LAY-OUT



PRACTICAL SUN AWNINGS LAY-OUT

