



BOLLARDS.

G:B:D:
CREATIVE AUTOMATIONS

DPT260-280

230-24V *PRODUCT ALSO AVAILABLE
AT 115 VAC





BOLLARDS.

G:B:D:
CREATIVE AUTOMATIONS

DPT260-280

230-24V *PRODUCT ALSO AVAILABLE AT 115 VAC

Automatic rising bollards in 230Vac with hydraulic or electromechanical technology.

EASY TO INSTALL

The motorisation is always integrated and they are ready to be fit in their foundation boxes.

SILENT AND STRONG

Special motors balanced for a silent operation, cylinder thickness from 4 to 6 mm and diameter of 275 mm. One of the strongest of its range.

PERFORMING

Made with special motor to be faster and more durable in time.

TECHNOLOGICAL AND SAFE

Available with plenty of optional, such as sensor for traffic light, E.F.O. kit for emergency fast operation and much more.

DESIGN

Smart, with led crown integrated, power painted and customizable on demand with every colour, or made in brushed stainless steel.



DOWNLOAD
MORE CONTENT



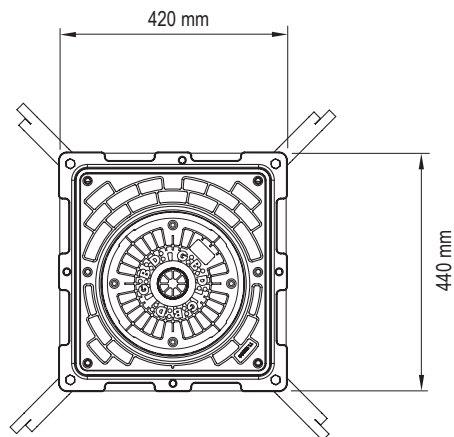
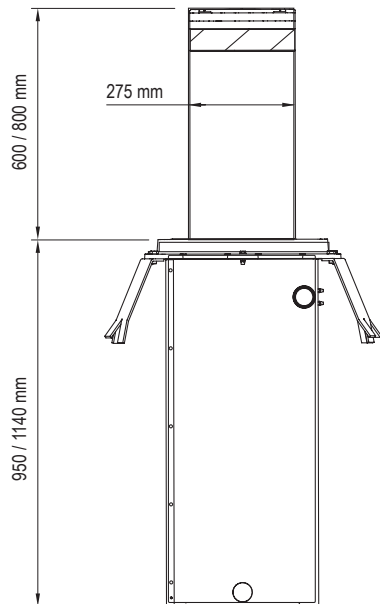
BOLLARDS.

G:B:D
CREATIVE AUTOMATIONS

TECHNICAL FEATURES

	T260 EM	T260	T280
Type of use	RESIDENTIAL	HEAVY DUTY	HEAVY DUTY
Frequency of use	30%	40%	40%
Motor power supply	230Vac - 50/60Hz	230Vac - 50/60Hz	230Vac - 50/60Hz
Absorbed power	250 W	2,2 - 3,4 A	2,2 - 3,4 A
Protection degree	IP67	IP67	IP67
Resistance to impact without deformation	30.000 J	40.000 J	40.000 J
Anti-breakthrough resistance	150.000 J	250.000 J	250.000 J
Opening/closing time	5 s.	2,4 - 4 s.	3 - 5 s.
Cylinder diameter	273 mm	273 mm	273 mm
Cylinder stroke	600 mm	600 mm	800 mm
Thickness of the cylinder	4 mm	6 mm	6 mm
Operating temperature	-20°C +60°C	-40°C +70°C	-40°C +70°C

DIMENSIONS



G:B:D
CREATIVE AUTOMATIONS

G.I.B.I.D.I. S.r.l.
Via Abetone Brennero, 177/B
46025 Poggio Rusco (MN) - ITALY
Tel. +39.0386.52.20.11
Fax +39.0386.52.20.31
info@gibidi.com
www.gibidi.com

