



CONTROL UNITS.

**GIBIDI**  
CREATIVE AUTOMATIONS

SE24

24V \*PRODUCT ALSO AVAILABLE  
AT 115 VAC



FOTO AUTOMATIC GATES



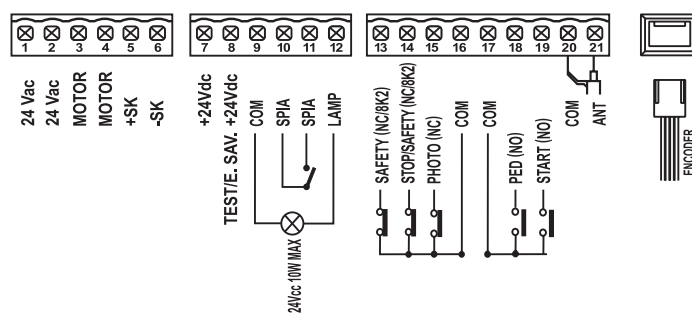
CONTROL UNITS.

**GIBIDI**  
CREATIVE AUTOMATIONS

SE24

24V \*PRODUCT ALSO AVAILABLE AT 115 VAC

Engines	1 on 24 Vdc
Power supply	220-230 VAC
Swing gates	NO
Sliding gates	SL544
Overhead or sectional doors	NO
Barriers	NO
Bollards	NO
Rolling shutters	NO
Curtains and shutters	NO
Pedestrian	YES
Force adjustment	YES
Slowdown	YES
Anti-crushing	YES
Safety device input	YES
Photocell input	YES
Limit switches-encoder	Encoder
Type of programming	self-learning with graphical display
Electric-lock	NO
Embedded radio receiver	YES
Protection degree	-



**GIBIDI**  
CREATIVE AUTOMATIONS

G.I.B.I.D.I. S.r.l.  
Via Abetone Brennero, 177/B  
46025 Poggio Rusco (MN) - ITALY  
Tel. +39.0386.52.20.11  
Fax +39.0386.52.20.31  
info@gibidi.com  
www.gibidi.com

